

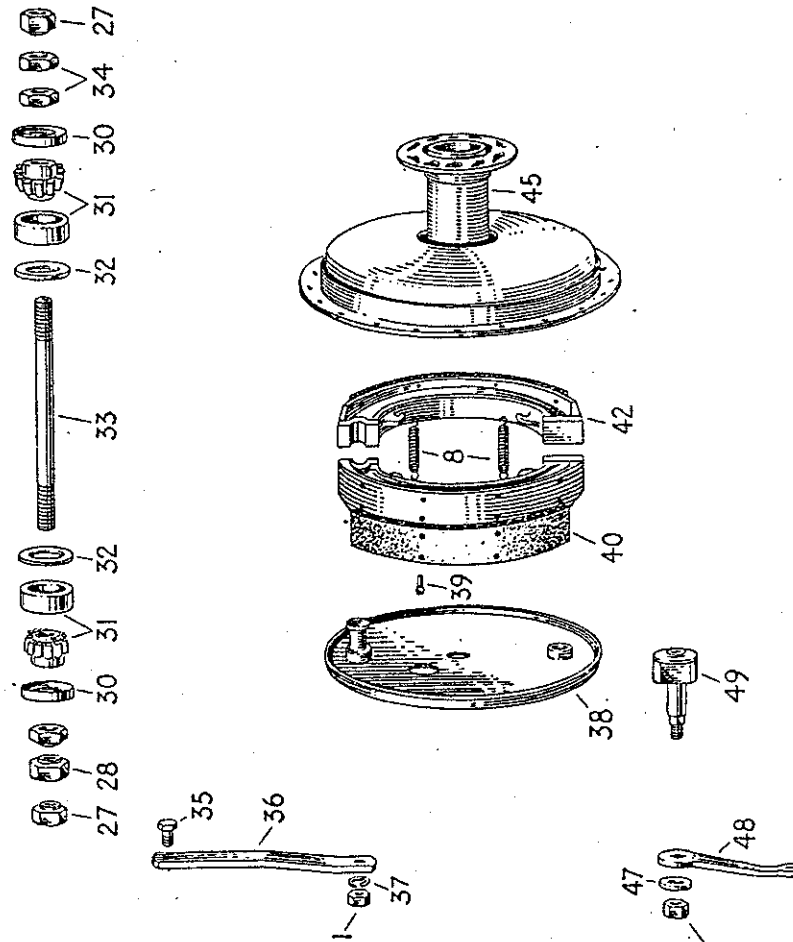
(See also illustrations on pages 14 and 15).

Reproduced from  
"Motor Cycling"

TRIUMPH 4-SPEED FOOT-CHANGE GEARBOX

Part No.	Description.	Quan Used.	MT or Prop. No.
<b>FORK SPINDLES</b>			
TE1520	Spindle, fork—top	2	
TE-4182	Spindle, fork—bottom front	1	
TE-4183	Spindle, fork—bottom rear	1	
TE-709L	Nut, fork spindle—large	4	
TE-709S	Nut, fork spindle—small	3	
TE1903E	Knurled Washer, fork spindle—top	4	
TE1903B	Knurled Washer, fork spindle—bottom rear	3	
<b>FORK LINKS</b>			
TE4360/P	Link, fork—top (plain hole)	1	
TE4360/S	Link, fork (screwed hole)	1	
TE4178	Link, fork (banjo—screwed hole)	1	
TE4026	Link, fork (plain hole)	1	
<b>FORK SHOCK ABSORBER</b>			
TE1001	Disc, fork shock absorber friction	2	
TE4277	Plate, fork shock absorber, inner	1	
TE4180	Plate, fork shock absorber, outer	1	
TE671MM	Pad, fork shock absorber plate—rubber	1	
TE4281	Bolt, fork shock absorber plate—rubber pad	1	
TE4444	Nut, shock absorber plate pad pin	1	
TE4374C	Washer, fork shock absorber plate pad pin—thick	1	
TE4374G	Washer, fork shock absorber plate pad pin—thin	1	
TE4383/2	Nut, fork shock absorber—shouldered	1	
TE1002	Star Washer, fork shock absorber	1	
TE4102	Adjuster, fork shock absorber	1	
<b>FORK STEERING DAMPER</b>			
TE4440	Knob, steering damper	1	
TE4438	Star Washer, steering damper knob	1	
TE4439	Plate, steering damper knob locating	1	
TESD12	Rod Assy., steering damper	1	
TE4444	Nut, steering damper rod	1	
TE4592	Plate, steering damper spring	1	
TE2705	Bolt, steering damper spring plate	1	
TE4141	Disc, steering damper friction	1	
TE4636	Plate, steering damper anchor	1	
F1718	Bolt, steering damper anchor plate	1	
S1-51	Nut, steering damper anchor plate bolt	1	
S25-3	Washer, steering damper anchor plate bolt	1	
TE4591	Plate, steering damper, back	1	
TE4593	Plate, steering damper, bottom	1	
TESD/3	Washer, steering damper, brass	1	
TE2692	Sleeve and Washer, steering damper rod...	1	

MT5/9728



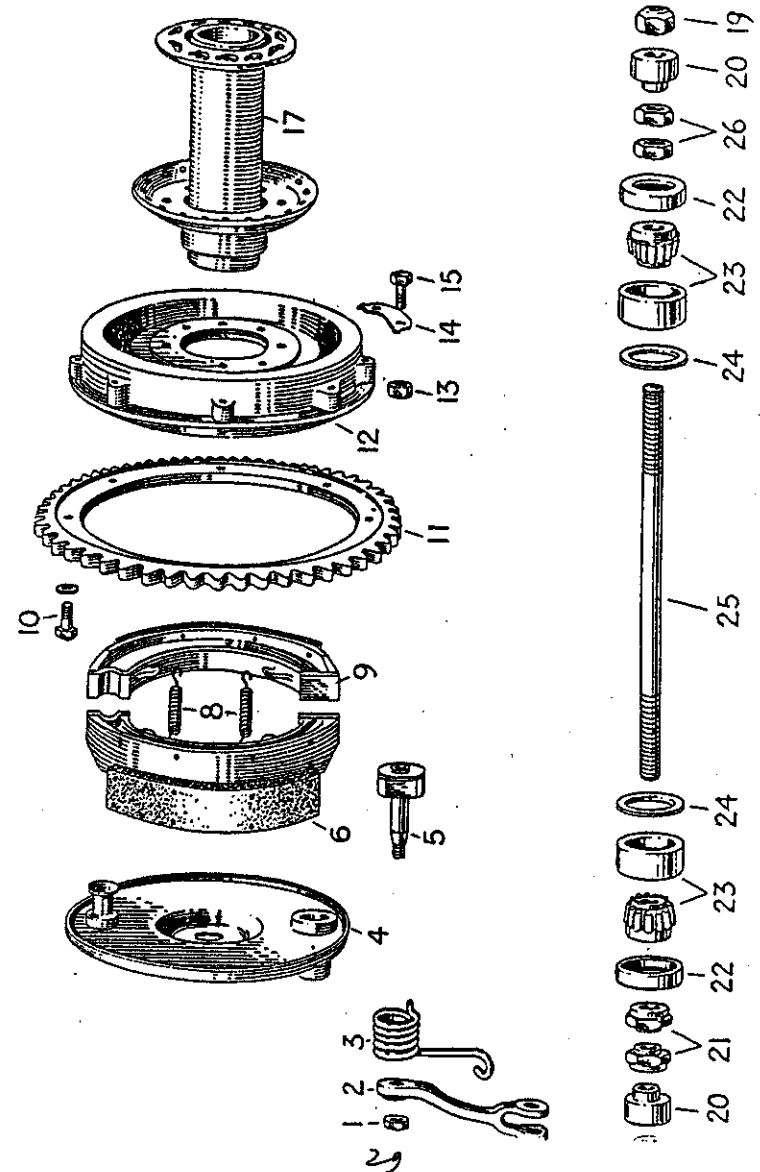
**FRONT AXLE & BRAKE**

- 27 W175
- 28 W346
- 30 W202
- 31 WW11
- 32 W190
- 33 W323
- 34 W192
- 35 NW258
- 36 W345
- 37 SCX38
- 38 W314
- 39 W129
- 40 W344
- 41 W342
- 42 W343
- 43 NW256
- 44 W338
- 45 W321
- 46 W212
- 47 S25-6
- 48 W313
- 49 W386
- 50 W67

Part No.	Description.	Quan Used.	MT or Prop. No.
F880	Nut, prop stand pivot bolt	1	
WF290	Washer, prop stand pivot bolt	1	
F1942SW	Lug, prop stand swivel	1	
NX299	Nut, prop stand swivel lug to frame bolt	1	
F2182	Spring Clip, prop stand securing—top	1	
F2183	Spring Clip, prop stand securing—bottom	1	
F1369	Bolt, prop stand spring clips	2	
F879	Nut, prop stand spring clip bolt	2	
S26-2	Spring Washer, prop stand spring clip bolt	2	MT5/49947
<b>FRONT FORK GROUP</b>			
TEWDS	Fork Assy., less mudguard	1	
<b>FORK GIRDER</b>			
TE4371	Girder, fork	1	
TE2419	Bush, fork spindle	4	
NW100	Lubricator, fork spindle	2	MT1/TT/P6½BSF
TE4234	Spring, fork	1	
TE519	Lug, fork spring securing—top	1	
TE1253S	Bolt, fork spring lug	1	
S26-3	Spring Washer, spring lug bolt	1	MT5/49948
<b>FORK STEERING CROWN &amp; STEM</b>			
TE4634/4711	Crown and Stem, fork	1	
XS8	Cone, fork crown	1	
XS10	Cup, fork crown	1	
S70-4	Ball, fork crown race	22	MT7/162
NW100	Lubricator, fork crown	1	MT1/TT/P6½BSF
TE2419	Bush, fork crown spindle	2	
<b>FORK HEAD CLIP</b>			
TE4712	Clip, fork head	1	
TE4606	Bolt, fork head clip	1	
TE4650	Sleeve, fork head clip bolt	2	
TE4607	Nut, fork head clip bolt	1	
DS5	Arm, handlebar support, with cap	2	
DS120	Bolt, handlebar support arm	6	
E410A	Washer, handlebar support arm bolt	2	
XS9	Cone, head clip	1	
XS10	Cup, head clip	1	
S70-4	Ball, head clip race	22	MT7/162
TE4714	Cap, race—pressed	1	
TE2419	Bush, head clip spindle	2	
TE-4716	Locknut, fork crown	1	
NW100	Lubricator	1	MT1/TT/P6½BSF

**REAR AXLE & BRAKE**

1	SI-52	15	W62
2	W74A	16	W57
3	W123	17	W58A
4	W101	18	NW222
5	NW234	19	TS42
6	NW243	20	W6
8	W135	21	W5
9	W93	22	W12
10	W64	23	W7A
11	W56	24	NW225
12	W311	25	W61
13	SI-51	26	W4
14	W63		



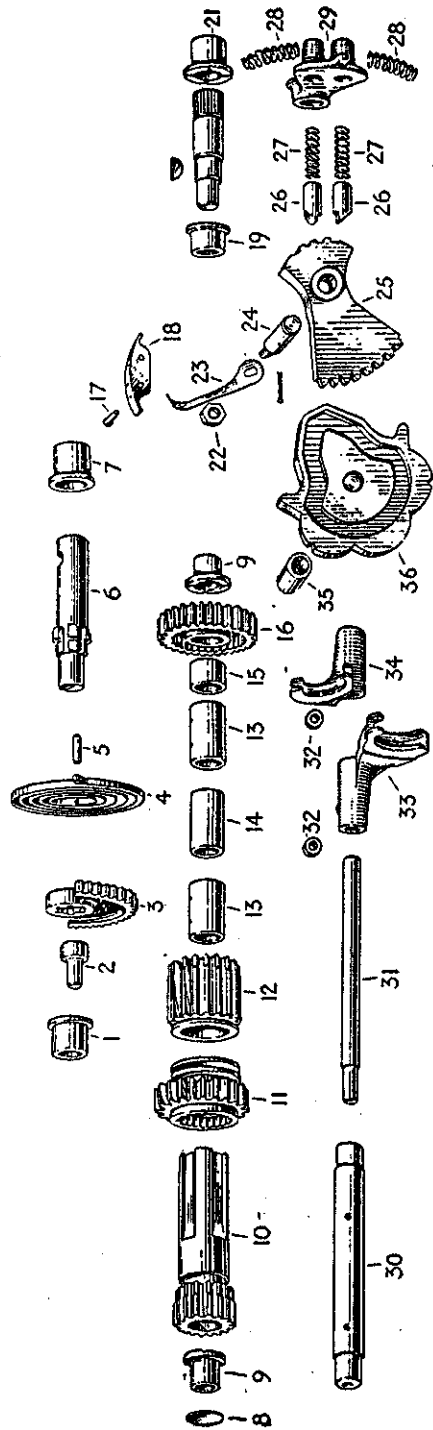
Part No.	Description.	Quan Used.	MT or Prop. No.
<b>GEARBOX CLUTCH CONTROL</b>			
T487	Lever, clutch operating	1	
T402	Arm, clutch operating lever	1	
T401	Peg, clutch operating lever	1	
E1613	Shakeproof Washer	1	MT5/9688
T413	Pin, clutch lever adjusting	1	
T453	Nut, clutch lever adjusting pin locking	1	
S70-7	Ball, clutch lever adjusting	1	MT7/163
T455A	Rod, clutch operating	1	
PT108B	Bush, mainshaft clutch rod	1	
<b>FRAME GROUP</b>			
FR40SW	Frame Assy.	1	
<b>FRONT PORTION</b>			
F1631	Frame, front portion	1	
E1023	Stud, frame front to backstays	1	
PO172A	Nut, frame front to backstays stud	2	
F1711	Stud, frame front to chainstays—front	1	
PO172A	Nut, frame front to chainstay stud—front	2	
S26-1	Washer, frame front to chainstay stud—front	2	MT5/49949
F994	Stud, frame front to chainstay seat tube	1	
S1-30	Nut, frame front to chainstay stud	2	
SCZ-45	Washer, frame front to chainstay stud	2	MT5/49951
XS8	Cone, frame head bearing—bottom	1	
XS10	Cup, frame head bearing	1	
S70-4	Ball, framehead bearing	22	MT7/162
XS9	Cone, frame head bearing—top	1	
XS10	Cup, frame head bearing	1	
S70-4	Ball, frame head race	22	MT7/162
XA69	Clip, frame, for wires, pipes, etc.	2	MT4/24496
<b>REAR PORTION</b>			
F1631A	Frame, rear portion	1	
F969	Screw, rear chain adjuster	2	
F1008	Locknut, rear chain adjuster	2	
<b>ENGINE PLATES</b>			
F1656	Plate, engine front	2	
E1023	Stud, front engine plate to down tube	1	
PO172A	Nut, front engine plate to down tube stud	2	
S26-1	Washer, front engine plate to down tube stud	2	MT5/49949
E925	Stud, front engine plate to crankcase	3	
S1-51	Nut, front engine plate to crankcase stud	6	

Part No.	Description.	Quan Used.	MT or Prop. No.
S1-51	Nut, rear carrier to mudguard bridge bolt	2	
S26-3	Spring Washer, rear carrier to mudguard bridge bolt	2	MT5/49948
<b>PANNIER CARRIER</b>			
F2261	Frame Assy., pannier	2	
F2251	Screw, pannier platform locking	4	
F2252	Wing Nut, pannier platform locking screw	4	
F1369	Bolt, pannier frame to carrier	4	
F879	Nut, pannier frame to carrier bolt	4	
S26-2	Spring Washer, pannier frame to carrier bolt	4	MT5/49947
F2245	Bracket, pannier frame—lower N/S	1	
F2246	Bracket, pannier frame—lower O/S	1	
DS57	Bolt, pannier frame support bracket	4	
F879	Nut, pannier frame support bracket bolt	4	
F2263	Bag, pannier—R.H.	1	
F2262	Bag, pannier—L.H.	1	
F2310	Strap, pannier bag—short	1	
F2311	Strap, pannier bag—long	1	
<b>REAR BRAKE CONTROL GROUP</b>			
F1153	Pedal, rear brake	1	
F1149	Screw, brake pedal stop	1	
F879	Locknut, brake pedal stop screw	1	
F867	Spindle, rear brake pedal	1	
DS48	Nut, brake pedal spindle to frame	1	
SCZ-45	Spring Washer, brake pedal spindle to frame	1	MT5/49951
S1-52	Nut, brake pedal spindle—pedal end	1	
S25-27	Washer, brake pedal spindle—pedal end—plain	1	MT5/15349
S26-16	Spring Washer, brake pedal spindle—pedal end	1	
F1015	Rod, rear brake	1	
WF32	Pin, rear brake rod clevis	1	
	Split Pin, rear brake rod clevis pin	1	MT1/5649
W11	Pin, rear brake rod to cam lever	1	
NS372	Nut, rear brake rod adjusting	1	
<b>FOOTREST GROUP</b>			
<b>FOOTRESTS</b>			
F1731	Footrest, O/S	1	
F987	Footrest, N/S	1	
F1736	Tube, footrest support, O/S	1	

Part No.	Description.	Quan Used.	MT or Prop. No.
T465	Gear, mainshaft high (27T) ....	1	
T492	Tube, mainshaft high gear distance ....	1	
T446	Bush, gearbox mainshaft high gear ....	2	
T443	Gear, mainshaft 3rd (23T) ....	1	
T467	Gear, mainshaft 2nd (18T) ....	1	
T466	Gear, layshaft high (17T) ....	1	
T438	Bush, layshaft high gear ....	1	
T435	Gear, layshaft 3rd (21T) ....	1	
T438	Bush, layshaft 3rd gear ....	1	
T468	Gear, layshaft 2nd (26T) ....	1	
T437	Gear, layshaft low (29T) ....	1	
T431	Bush, layshaft low gear ....	1	
<b>GEARBOX SHELL BEARINGS</b>			
T448	Bearing, high gear ....	1	MT7/4363
T445	Cover, high gear bearing dust ....	1	
E489	Ring, high gear bearing retaining ....	1	
S35-7	Bearing, mainshaft ....	1	MT7/6013
T280	Ring, mainshaft bearing retaining ....	1	
T290	Bush, layshaft ....	2	
T18	Disc, layshaft dust cover ....	1	
T341	Bush, gear selector cam plate ....	1	
T412	Bush, footchange spindle inner ....	1	
T57	Bush, footchange spindle outer ....	1	
T362	Bush, kickstarter axle, inner ....	1	
T23	Bush, kickstarter axle, outer ....	1	
<b>GEAR CONTROL (SELECTOR MECHANISM)</b>			
T397	Quadrant, gear operating ....	1	
T399	Spindle, gear operating quadrant ....	1	
T493	Pin, gear operating quadrant to spindle ....	1	
T500	Cam Plate, gear control ....	1	
NT261	Roller, gear control camplate ....	2	
T501	Plunger, gear control camplate ....	1	
T372	Bush, gear operating camplate plunger ....	1	
T373	Spring, gear operating camplate plunger ....	1	
T260	Fork, gear selector mainshaft ....	1	
T261	Fork, gear selector layshaft ....	1	
T291	Rod, gear selector fork ....	1	
<b>GEAR CONTROL (ENCLOSED FOOTCHANGE)</b>			
T407	Plate, footchange guide ....	1	
T454	Stud, footchange guide plate ....	4	
F879	Nut, footchange guide plate stud ....	4	
E1613	Washer, footchange guide plate stud (shake-proof) ....	4	MTS/9688
T408/9	Plunger Assy., gear quadrant ....	1	

Part No.	Description.	Quan Used.	MT or Prop. No.
<b>TANK GROUP</b>			
<b>PETROL TANK</b>			
F1709SW	Tank, petrol ....	1	
F1523	Cap, petrol tank filler ....	1	
F1522	Washer, petrol tank filler cap ....	1	
F966	Screw, petrol tank fixing ....	4	
S25-27	Washer, petrol tank fixing screw ....	4	MT5/15349
F967	Pad, petrol tank fixing screw—rubber ....	8	
F2303	Pipe Assy., petrol feed ....	1	
F1721	Pipe and Nuts, "U" connecting ....	1	
F1717	Tap, petrol ....	1	
F1511	Washer, petrol tap ....	1	
<b>OIL TANK</b>			
F1645A	Tank, oil ....	1	
E370A	Cap, oil tank filler ....	1	
E1331	Washer, oil tank filler cap ....	1	
F1682	Stud, oil tank to seat tube boss ....	1	
S1-51	Nut, oil tank to seat tube boss bolt ....	1	
F1213	Bolt, oil tank to seat tube clip ....	1	
F1335	Washer, oil tank to seat tube clip bolt—distance ....	1	
F929	Bolt, oil tank to bridge ....	1	
F1792	Plug, oil tank drain ....	1	
PT104-B	Washer, oil tank drain plug ....	1	
F1647	Filter, oil tank ....	1	
F1713	Washer, oil tank filter ....	1	
E1385	Oil Pipes and Block, oil tank to engine ....	1	
MF119	Connection, oil tank to oil pipe—rubber....	2	
F2330	Pipe, oil tank vent—copper ....	1	
F2323	Union, oil tank vent pipe—solderless ....	1	
<b>HANDLEBAR AND HANDLEBAR CONTROL GROUP</b>			
<b>HANDLEBAR</b>			
98/046	Handlebar Bend, 1in. dia. ....	1	
16/039C	Grip, dummy, canvas ....	1	
<b>CLUTCH CONTROL</b>			
18/057	Lever Assy., clutch ....	1	
18/130	Lever, clutch ....	1	
18/174	Bracket, clutch lever ....	1	
12/044	Clamp, clutch control ....	1	
18/300	Screw, clutch control clamp ....	2	
18/087	Pin, clutch control fulcrum ....	1	
18/053	Nut, clutch control fulcrum pin ....	1	
70/016	Washer, clutch control fulcrum pin—shakeproof ....	1	MT5/9688

GEARS AND CLUTCH



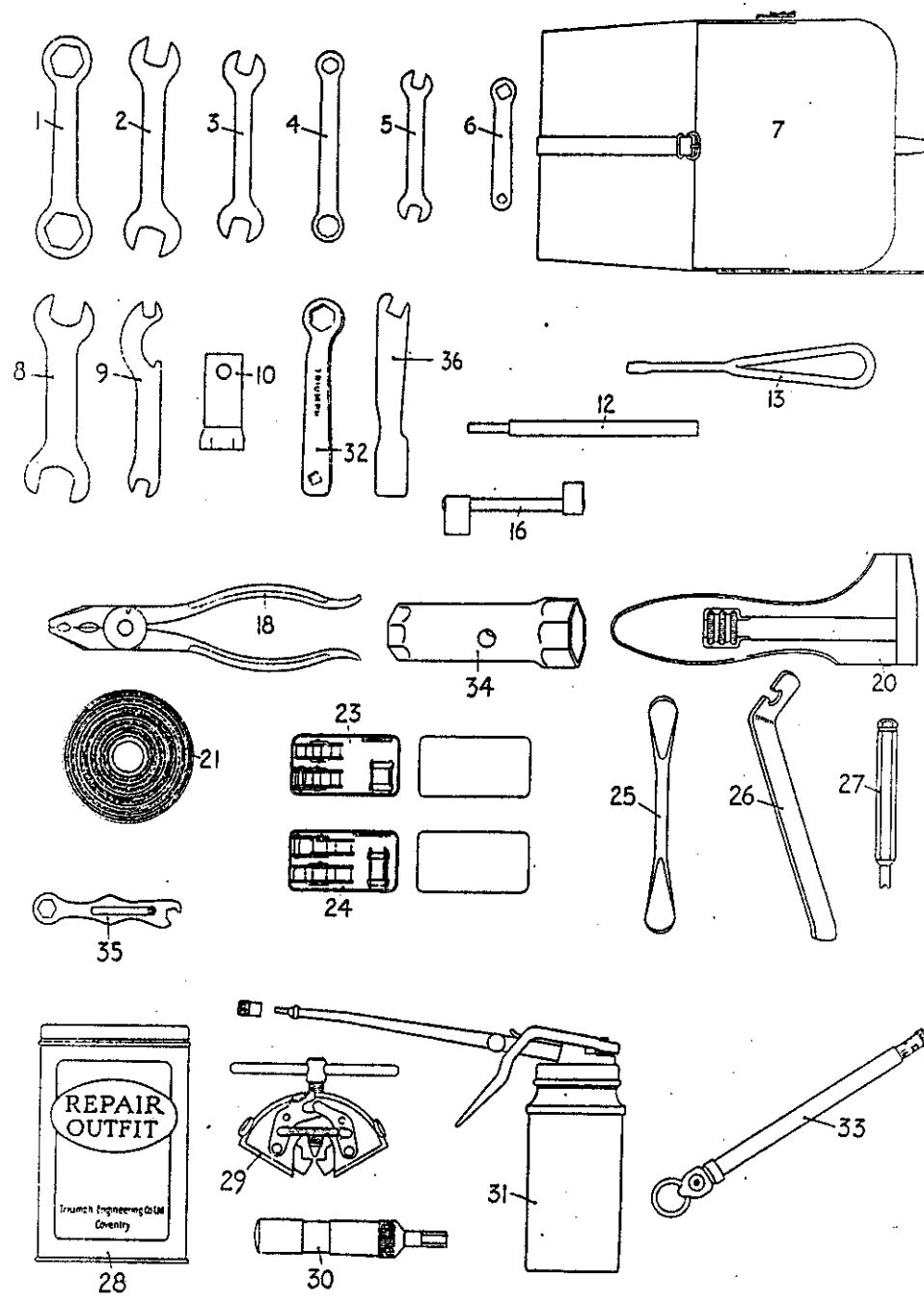
1	T362
2	T45
3	T25A
4	T31
5	T47
6	T24A
7	T23
8	T18
9	T290
10	T466
11	T468
12	T435
13	T438
14	T432
15	T431
16	T437
17	T493
18	T396
19	T412
20	T408
21	T57
22	T224
23	T395
24	T399
25	T397
26	T406
27	T405
28	T404
29	T408/9
30	T433
31	T291
32	NT261
33	T261
34	T260
35	T341
36	T500
37	T440
38	T471
39	E489
40	T445
41	T448
42	T446
43	T465
44	T467
45	T443
46	T441
47	T501
48	T373
49	S35-7
50	T280
51	T505
52	T488/28
53	T415
54	T26
55	T27
56	NT298
57	NT297
58	T407
59	T454
60	E1613
61	F879
62	T427
63	T429
64	T425
65	T419
66	T415
67	T415
68	NT288
69	T414
70	T455A
71	T421
72	T420
73	T324
74	T417A
75	T424
76	T416A
77	T416A
78	T416A
79	T416A
80	T394
81	T418
82	S66-1
83	T413
84	T401
85	T402
86	T453
87	T487
88	PT108B

Part No.	Description.	Quan Used.	MT or Prop. No.
<b>EXHAUST LIFTER CONTROL</b>			
18/282	Lever Assy., exhaust lifter ....	1	
18/059	Lever, exhaust lifter....	1	
18/221	Body, exhaust lifter lever ....	1	
12/044	Clamp, exhaust lifter lever....	1	
18/300	Pin, exhaust lifter lever clamp ....	2	
11/014	Pin, exhaust lifter lever fulcrum ....	1	
18/060	Nut, exhaust lifter lever fulcrum pin ....	1	
<b>AIR CONTROL</b>			
12/123	Lever Assy., air ....	1	
12/016	Lever, air control ....	1	
12/003	Body, air control lever ....	1	Not Serviced
12/018	Clip, air control ....	2	Not Serviced
12/024	Rivet, air control clip ....	2	Not Serviced
12/022	Screw, air control clip ....	1	
12/023	Nut, air control clip screw ....	1	
12/029	Bolt, air control centre ....	1	
12/031	Cap, air control centre ....	1	
12/033	Spring Washer, air control centre cap .....	1	
<b>IGNITION CONTROL</b>			
12/133	Lever Assy., magneto ....	1	
12/017	Lever, magneto control ....	1	
12/004	Body, magneto control ....	1	Not Serviced
12/018	Clip, magneto control ....	2	Not Serviced
12/024	Rivet, magneto control clip ....	2	Not Serviced
12/022	Screw, magneto control clip ....	1	
12/023	Nut, magneto control clip screw ....	1	
12/029	Bolt, magneto control centre ....	1	
12/031	Cap, magneto control centre ....	1	
12/033	Spring Washer, magneto control centre cap ....	1	
<b>FRONT BRAKE CONTROL</b>			
18-032	Lever Assy., front brake ....	1	
18-030	Lever, front brake control ....	1	
18-247	Bracket, front brake lever ....	1	
12/044	Clamp, front brake control ....	1	
18/300	Bolt, front brake control clamp ....	2	
18/087	Pin, front brake control fulcrum ....	1	
18/053	Nut, front brake control fulcrum pin ....	1	
70/016	Washer, front brake control fulcrum pin—shakeproof ....	1	MT5/9688
<b>THROTTLE CONTROL</b>			
16/102C	Twist Grip Assy. ....	1	
16/023C	Grip, canvas, twistgrip ....	1	
16/006	Body, twistgrip—top ....	1	
16/007	Body, twistgrip—bottom ....	1	

Part No.	Description.	Quan Used.	MT or Prop. No.
<b>MAGDYNO STRAP</b>			
E530	Strap, magdyno—front	1	
E531	Strap, magdyno—rear	1	
E534	Swivel, magdyno strap—plain	1	
E535	Swivel, magdyno strap—tapped	1	
E536	Bolt, magdyno strap	1	
E538	Washer, magdyno strap bolt	1	
E537	Pin, magdyno strap	2	
E532	Eye Bolt, magdyno strap—front	2	
E533	Eye Bolt, magdyno strap—rear	2	
S1-S1	Nut, rear magdyno strap eye bolt	2	
S26-3	Spring Washer, rear magdyno strap eye bolt	2	MT5/49948
E519	Dowel, magdyno base	4	
<b>EXHAUST VALVE LIFTER</b>			
E447	Spindle, exhaust valve lifter	1	
E1198	Spring, exhaust valve lifter spindle	1	
S26-2	Spring Washer, exhaust valve lifter spindle	1	MT5/49947
F879	Nut, exhaust valve lifter	1	
E1395	Bush, exhaust valve lifter	1	
E1131	Lever, exhaust valve lifter	1	
<b>ENGINE SPROCKET &amp; SHOCK ABSORBER</b>			
E1680F	Sprocket, engine—19T	1	
E511	Sleeve, engine shaft shock absorber	1	
E509	Nut, engine shaft shock absorber	1	
E659	Spring, engine shaft shock absorber	1	
E1681	Slider, engine shaft shock absorber	1	
E396	Collar, engine shaft shock absorber	1	
<b>EXHAUST SYSTEM GROUP</b>			
<b>EXHAUST PIPE</b>			
E1380	Pipe, exhaust	1	
E1270	Clip, exhaust pipe to cylinder	1	
E409	Bolt, exhaust pipe to cylinder clip	1	
E410A	Washer, exhaust pipe clip bolt	1	
<b>SILENCER</b>			
E1567	Silencer	1	
TE246	Clip, exhaust pipe to silencer	1	
TE164E	Bolt, exhaust pipe to silencer clip	1	
TE164C	Nut, exhaust pipe to silencer clip bolt	1	
TE164D	"D" Washer, exhaust pipe to silencer clip	1	
E688	Bolt, silencer to chainstay	1	
E470	Nut, silencer to chainstay bolt	1	

Part. No.	Description.	Quan Used.	MT or Prop No.
<b>IGNITION CONTROL CABLE</b>			
D100	Cable Assy., ignition	1	
D100W	Wire, ignition	1	
D100C	Casing, ignition wire	40 1/2"	MT1/13464
LC24A	Thimble, ignition wire casing	2	MT1/1032
	Nipple, ignition wire—mag. end	1	MT8/LU/455788
12/034	Nipple, ignition wire—handlebar end	1	
<b>THROTTLE CABLE</b>			
D78A	Cable Assy., throttle	1	
D78AW	Wire, throttle	1	
D78AC	Casing, throttle wire	37"	MT1/13464
LC24A	Thimble, throttle casing	2	MT1/1032
NS191	Nipple, throttle wire, carb. end	1	MT12/AM/1482
12/034	Nipple, throttle wire, handlebar end	1	
	Adjuster, throttle cable	1	MT12/AM/4-035
16/011	Stop, throttle cable	1	
<b>AIR CABLE</b>			
D91	Cable Assy., air	1	
D91W	Wire, air	1	
D91C	Casing, air wire	34"	MT1/13464
LC24A	Thimble, air wire casing	2	MT1/1032
NS191	Nipple, air wire—carb. end	1	MT12/AM/1482
12/034	Nipple, air wire—handlebar end	1	
	Adjuster, air cable	1	MT12/AM/4-035
<b>TOOLBOX GROUP</b>			
F1692	Tool Box, with fastener	1	
F1850	Screw, tool box lid securing	1	
WF352	Circlip, tool box fastener screw	1	
F1700	Clip, tool box securing	2	
F1369	Screw, tool box securing	2	
F879	Nut, tool box securing screw	2	
<b>TOOL GROUP (KIT)</b>			
NA12	Grease Gun	1	MT1/TT/Type 1MC
PA55	Screwdriver	1	MT2/5249
DA5	Spanner, rocker screw and fork spindle	1	
PA56	Combination Spanner	1	
DA21	Tommy Bar	1	MT2/44929
DA87	Box Spanner, sparking plug	1	
DA72	Spanner, .920" x 1.010" open end	1	
KA50	Spanner, .375" Hex. x .338" Hex. open end	1	
NA55	Spanner, .600" x .525" open end	1	MT2/3792

Part No.	Description.	Quan Used.	MT or Prop. No.
<b>CRANKCASE CONNECTING STUDS &amp; BOLTS</b>			
E654	Stud, crankcase	1	MT5/9728
S1-51	Nut, crankcase stud	2	
S25-3	Washer, crankcase stud	3	
E405	Bolt, crankcase, top rear	1	
<b>OIL PUMP</b>			
E1353	Body, oil pump	1	
E1354	Plunger, oil pump feed	1	
E494	Plunger, oil pump return	1	
E386	Plug, oil pump	2	
E403	Spring, oil pump	2	
E495	Block, oil pump driving	1	
E575	Screw, oil pump fixing	2	
E2120	Cover, oil pump	1	
E490	Washer, oil pump cover joint	1	
E2161	Screw, oil pump cover	2	
<b>RELEASE VALVE (CRANKCASE)</b>			
E1466	Body, crankcase breather	1	MT1/14776
E1467	Diaphragm, crankcase breather	1	
E1464	Plug, crankcase breather	1	
E1556	Pipe Assy., crankcase breather	1	
E1465	Washer, crankcase breather	2	
<b>TIMING COVER</b>			
E615	Cover, timing gear	1	MT7/163
E427	Screw, timing gear cover (short)	7	
E573	Screw, timing gear cover (long)	2	
E732	Plug, timing gear cover	1	
NE507	Washer, timing gear cover plug	1	
E1424	Spring, oil release plug	1	
E524	Plug, oil release	1	
S70-7	Ball, oil release plug	1	
E1100	Plug, timing gear cover oil	1	
E1143	Dowel, timing gear cover oil	1	
E416	Stud, timing gear cover to oil block	1	MT5/49948
S1-51	Nut, oil block stud	1	
S26-3	Spring Washer, oil block stud	1	
E527	Washer, timing gear cover & oil block joint	1	
<i>(See Flywheels, Page 9, for Oil Feed Tube)</i>			
<b>TIMING GEAR</b>			
E602	Camshaft, inlet	1	
E603	Camshaft, exhaust	1	
E499	Gear, camshaft	2	

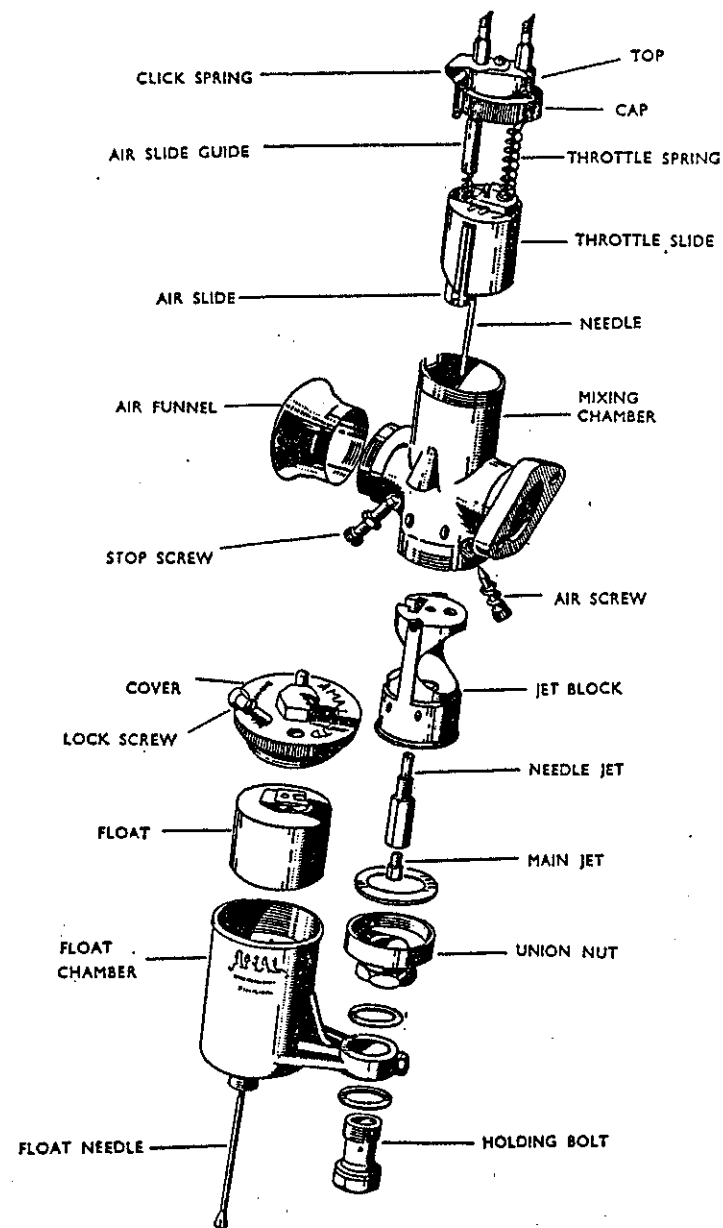




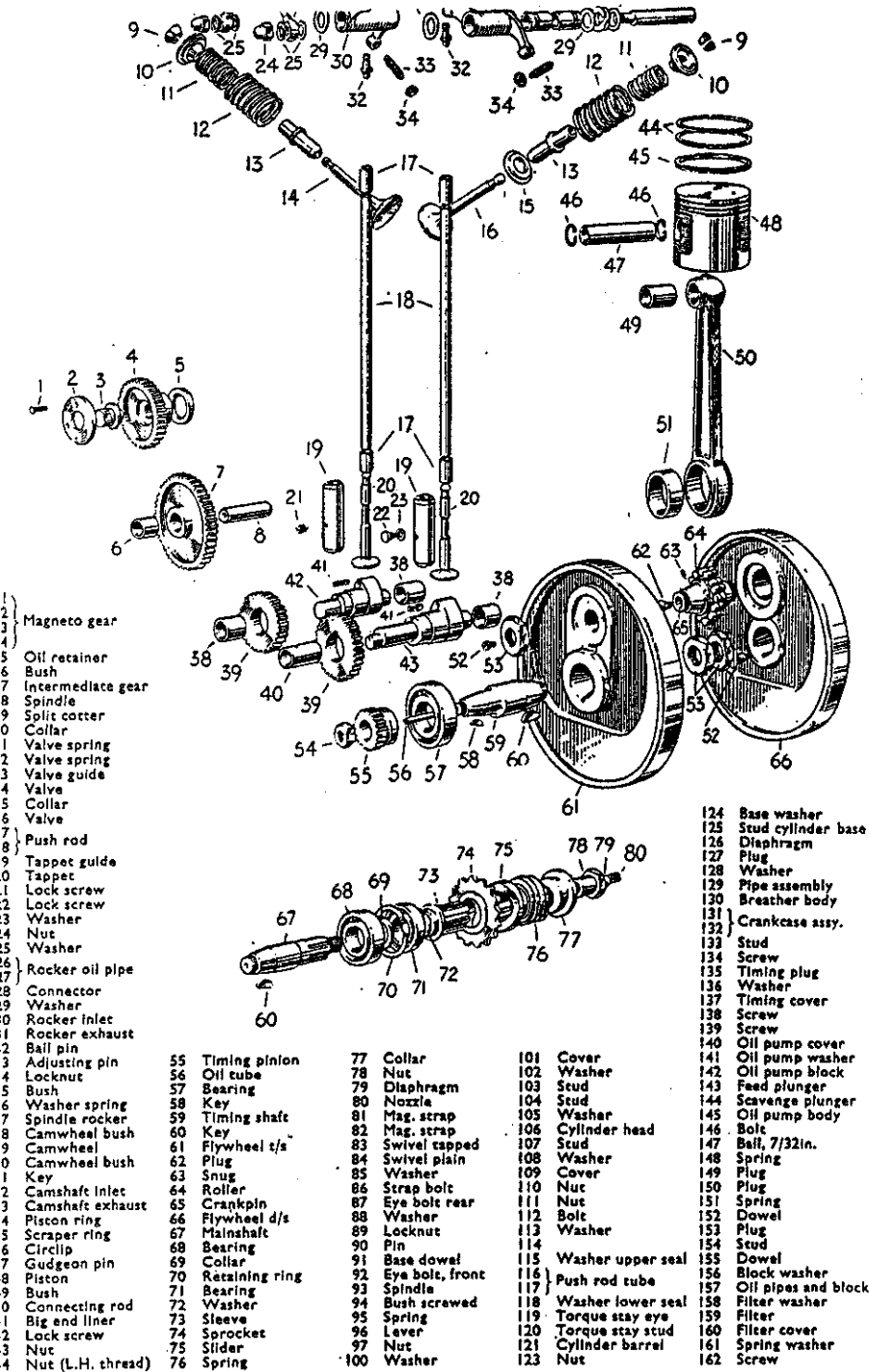
# ENGINE DETAILS

(See pages 6 and 7)

1		41 E506	81 E531	124 E620
2	} E718	42 E602	82 E530	125 E672
3		43 E603	83 E535	126 E1467
4		44 E1881	84 E534	127 E1464
5		45 E387	85 E538	128 E1465
6		46 E361	86 E536	129 E1556
7		47 E344	87 E533	130 E1466
8		48 E1880	88 S26/2	131 E1350
9		49 E1403	89 S1/51	132 E1349
10		50 E1401	90 E537	133 E654
11		51 E1402	91 E519	134 E427
12		52 E829	92 E532	135 E732
13		53 E398	93 E447	136 NE507
14		54 E526	94 E1395	137 E615
15		55 E498	95 E1198	138 E427
16		56 E1682	96 E1131	139 E573
17	} E2119	57 S35/14	97 F879	140 E485
18		58 S66/10	100 E2125	141 E490
19		59 E601	101 E2101	142 E495
20		60 KC20	102 E2121	143 E1354
21		61 E1295	103 E2122	144 E494
22		62 E392	104 E1396	145 E1353
23		63 S31/20	105 NA43	146 E575
24		64 TE10	106 E2100	147 S70/7
25		65 E595	107 T454	148 E403
26	} E2128	66 E1296	108 E2123	149 E386
27		67 E600	109 { E2101 (IN) E2103 (EX)	150 E524
28		68 S35/11	110 W103	151 E1424
29		69 E510	111 E2131	152 E1187
30		70 E608	112 E2113	153 E1100
31		71 S35/14	113 S26/1	154 E416
32		72 E1732	115 E2111	155 E1143
33		73 E1521	116 } E2137	156 E527
34		74 E1680F	117 } E2137	157 E1385
35		75 E1681	118 E2114	158 E487
36		76 E659	119 F1033	159 } E2126
37		77 E396	120 E2124	160 } E2126
38		78 E509	121 E1133	161 S26/2
39		79 NE154	123 E671	162 MT63
40		80 NE153A		



Amal Carburettor Parts



**ENGINE DETAILS**

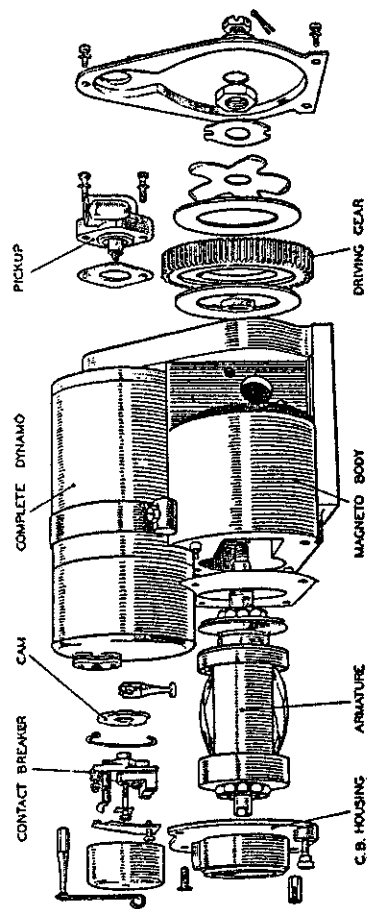
Note that Shaft No. 67 fits into Flywheel No. 66

Part No.	Description.	Quan Used.	MT or Prop. No.
<b>LUCAS MAGDYNO EQUIPMENT GROUP</b>			
	Magdno	1	MT8/LU/46009
	Cup, insulating	1	MT8/LU/451379
	Cup, insulating	1	MT8/LU/463932
	Stud, C.B. end plate locating	2	MT8/LU/M2976/4
	Holder, magneto earth brush	1	MT8/LU/460380
	Brush and Spring, magneto earth	1	MT8/LU/451323
	Washer, fibre	1	MT8/LU/162674
	Pickup Assy.	1	MT8/LU/463066
	Carbon and Spring, pickup	1	MT8/LU/451260
	Nut, moulded, pickup cable	1	MT8/LU/M3156/4
	Washer, cable end	1	MT8/LU/185008
	Washer, pickup seating	1	MT8/LU/455622
	Screw, pickup fixing	2	MT8/LU/110064
	Armature Assy.	1	MT8/LU/463988
	Condenser Assy.	1	MT8/LU/464140
	Slip Rings	1	MT8/LU/M255/2
	Washer, oil thrower	1	MT8/LU/463944
	Washer, bearing packing	1	MT8/LU/455634
	Collar, bearing retaining, C.B. end	1	MT8/LU/M464/5
	Gears, set of	1	MT8/LU/462863
	Plate, gear friction	1	MT8/LU/463112
	Spring, clutch	1	MT8/LU/463114
	Washer, gear locking	1	MT8/LU/463113
	Locknut	1	MT8/LU/463117
	Screw, dynamo gear lock	1	MT8/LU/111700
	Washer, dynamo gear lock	1	MT8/LU/M353/1
	Key, Woodruff	2	MT1/5091
	Plate, driving end cover	1	MT8/LU/463981
	Nipple, dynamo securing	1	MT8/LU/M1741/4
	Plate Assy., C.B. end	1	MT8/LU/463982
	Washer, .005" end plate packing	1	MT8/LU/463074
	Washer, .003" end plate packing	1	MT8/LU/463075
	Screw, end plate seal	1	MT8/LU/122124
	Terminal, end plate	1	MT8/LU/186471
	Screw, cam timing	1	MT8/LU/M3207/2
	Control Parts (sets)	1	MT8/LU/463107
	Spring, control	1	MT8/LU/M2642/4
	Nipple, control	1	MT8/LU/455788
	Cap, rubber control	1	MT8/LU/M2841/4
	Cam	1	MT8/LU/463853
	Ring, jump (cam securing)	1	MT8/LU/M2646/1
	Cover, contact breaker	1	MT8/LU/M2648/1
	Spring and Pin Assy.	1	MT8/LU/463898
	Contact Breaker complete	1	MT8/LU/ML.CB1

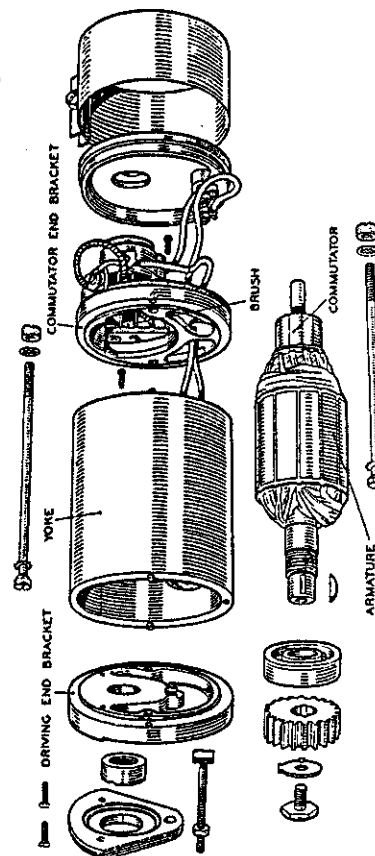
# Index

	Page
BATTERY CARRIER GROUP	19
BATTERY GROUP	47
CARBURETTOR GROUP	40
CARRIER GROUP	30
CHAINS	42
CHAINCASE GROUP	32
CHAINGUARD GROUP	32
CONTROL CABLE GROUP	36
CRANKCASE SHIELD GROUP	13
ENGINE GROUP	5
Connecting Rod	9
Crankcase	9
Crankcase Bearings	9
Crankcase Studs and Bolts	10
Cylinder Barrel	5
Cylinder Head	5
Exhaust Valve Lifter	12
Flywheels	9
Magdyno Scrap	12
Oil Pump	10
Piston	5
Push Rods	11
Push Rod Tubes	11
Release Valve	10
Rocker	11
Sprocket and Shock Absorber	12
Tappets	11
Timing Cover	10
Timing Gear	10
Valves	5
EXHAUST SYSTEM GROUP	12
FOOTREST GROUP	31
FRAME GROUP	18
FRONT FORK GROUP	20
Crown and Stem	20
Grder	20
Headclip	20
Links	22
Shock Absorber	22
Spindles	22
Steering damper	22
FRONT WHEEL GROUP	26
Front Brake	26

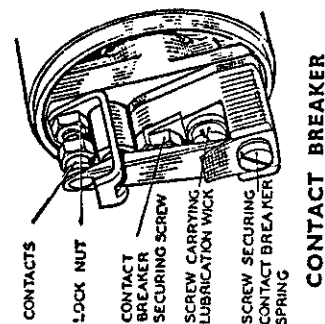
	Page
GEARBOX GROUP	13
Bearings	16
Clutch	17
Clutch Control	18
Fitings	13
Footchange	16
Footchange selector	13
Gears	16
Kickstarter	17
Shafts	13
Shell	13
Sprocket	17
HANDLEBAR GROUP	33
HEADLAMP GROUP	46
Headlamp	46
Headlamp brackets	26
HORN GROUP	47
MAGDYNO GROUP	43
MUDGUARD GROUP	30
PILLION SEAT GROUP	42
REAR BRAKE CONTROL	31
REAR WHEEL GROUP	28
Rear Brake	30
REGULATOR GROUP	47
SADDLE GROUP	42
SPARKING PLUG GROUP	47
SPEEDOMETER GROUP	28
STAND GROUP	19
TANK GROUP	33
Petrol Tank	33
Oil Tank	33
TAIL LAMP GROUP	46
TOOLBOX GROUP	37
TOOL KIT GROUP	37
WIRING GROUP	47



Exploded View of Magneto.



Exploded View of Dynamo.



CONTACT BREAKER

# TRIUMPH

## MOTOR CYCLE REPLACEMENT PARTS

FOR

### 3 HW MACHINES

This Parts List is applicable to

Contract

Catalogue Ref. No.

S 2114

23

Engine Nos. 3 HW 46918 to 3 HW 51417.

Frame Nos. TL 36918 to TL 41417.

#### RELATIVE INSTRUCTIONAL LITERATURE:

Driver's Handbook	....	....	Book No. 100/TC1A
Maintenance Manual	....	....	Book No. 101/TC1A

TRIUMPH ENGINEERING CO. LTD., COVENTRY

TELEPHONE: COVENTRY 60221 (7 lines).  
Codes: A.B.C. 5th Edition.

TELEGRAMS: TRUSTY, COVENTRY.  
Bentley's and Marconi.

Part No.	Description.	Quan Used.	MT or Prop. No.
----------	--------------	---------------	--------------------

### LUCAS HEADLAMP GROUP

Headlamp Assy., c/w mask	....	1	MT3/LU/DU42/MAG
Screw, lamp fixing	....	2	MT3/LU/112201
Washer, lamp fixing screw	....	1	MT5/9728
Clasp, c/w stud—rim fixing	....	1	MT3/LU/516047
Wire, clasp fixing	....	6"	MT10/17765
Reflector Assy.	....	1	MT3/LU/NB398/36
Shell Assy., reflector—black	....	1	MT3/LU/515191
Wire, backshell fixing	....	1	MT3/LU/NB398/10
Holder Assy. Bulb (main)	....	1	MT3/LU/504801
Clip and Screw Assy., bulb holder	....	1	MT3/LU/N890
Sleeve Terminal	....	2	MT3/LU/188818
Spring, wire, reflector fixing	....	4	MT3/LU/NB317/41
Bead, joint, reflector!	....	1	MT3/LU/NC309/8
Mask	....	1	MT3/84604
Glass, rectangular, $4\frac{1}{2} \times 1 \times \frac{3}{4}$ "	....	1	MT3/84535
Frame, glass fixing	....	1	MT3/84536
Gasket, rubber, headlamp glass, rectangular	....	1	MT3/84537
Panel Assy.	....	1	MT3/LU/308320
Plate only, panel	....	1	MT3/LU/308291
Ammeter	....	1	MT3/LU/364461
Switch, lighting	....	1	MT3/LU/351590
Ring, rubber	....	2	MT3/LU/NB2404/24
Screw, grub, for terminals	....	7	MT5/29889
Handle, switch, c/w screw	....	1	MT3/LU/351567
Clip, switch fixing	....	1	MT3/LU/308234
Bulb, 6v. 3w. SCC	....	1	MT3/47174
Bulb, 6v. 24w. SBC	....	1	MT3/12534

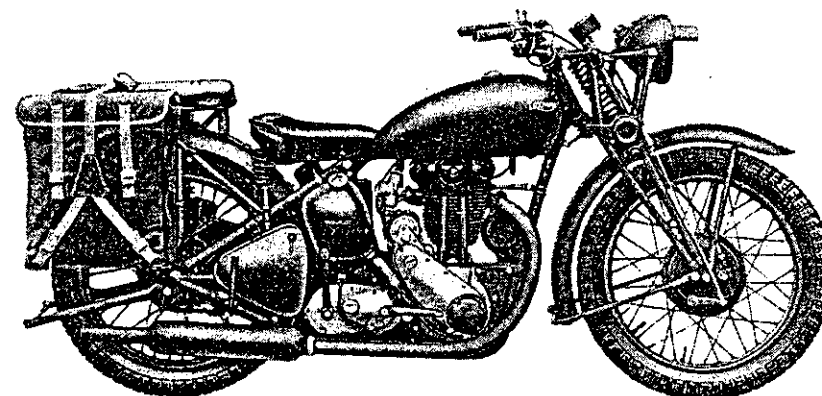
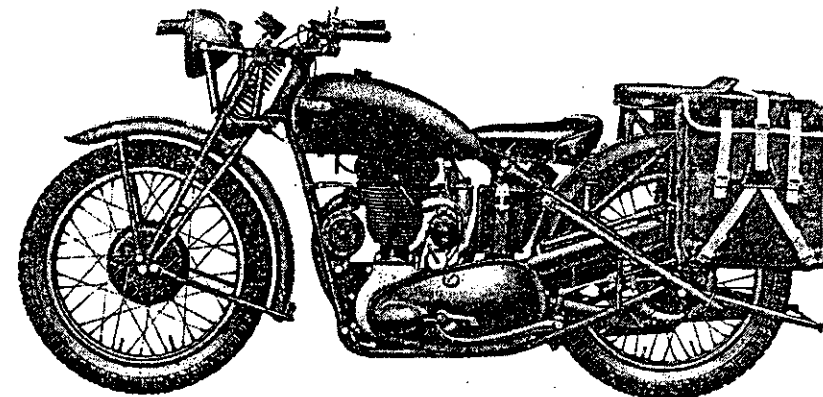
### TAIL LAMP GROUP

Lamp complete, tail	....	1	MT3/WD/MCT1
Case with ruby	....	1	MT3/LU/525890
Spring, body retaining	....	1	MT3/LU/525886
Interior, bulb holder (set of parts)	....	1	MT3/LU/525897
Connector, complete with cover	....	1	MT3/LU/SA147
Bulb, 6v. 3w. SCC	....	1	MT3/47174

# TRIUMPH

## MOTOR CYCLE SOLO

350 c.c. O.H.V.



MODEL 3 HW

TRIUMPH ENGINEERING CO. LTD.  
ENGLAND

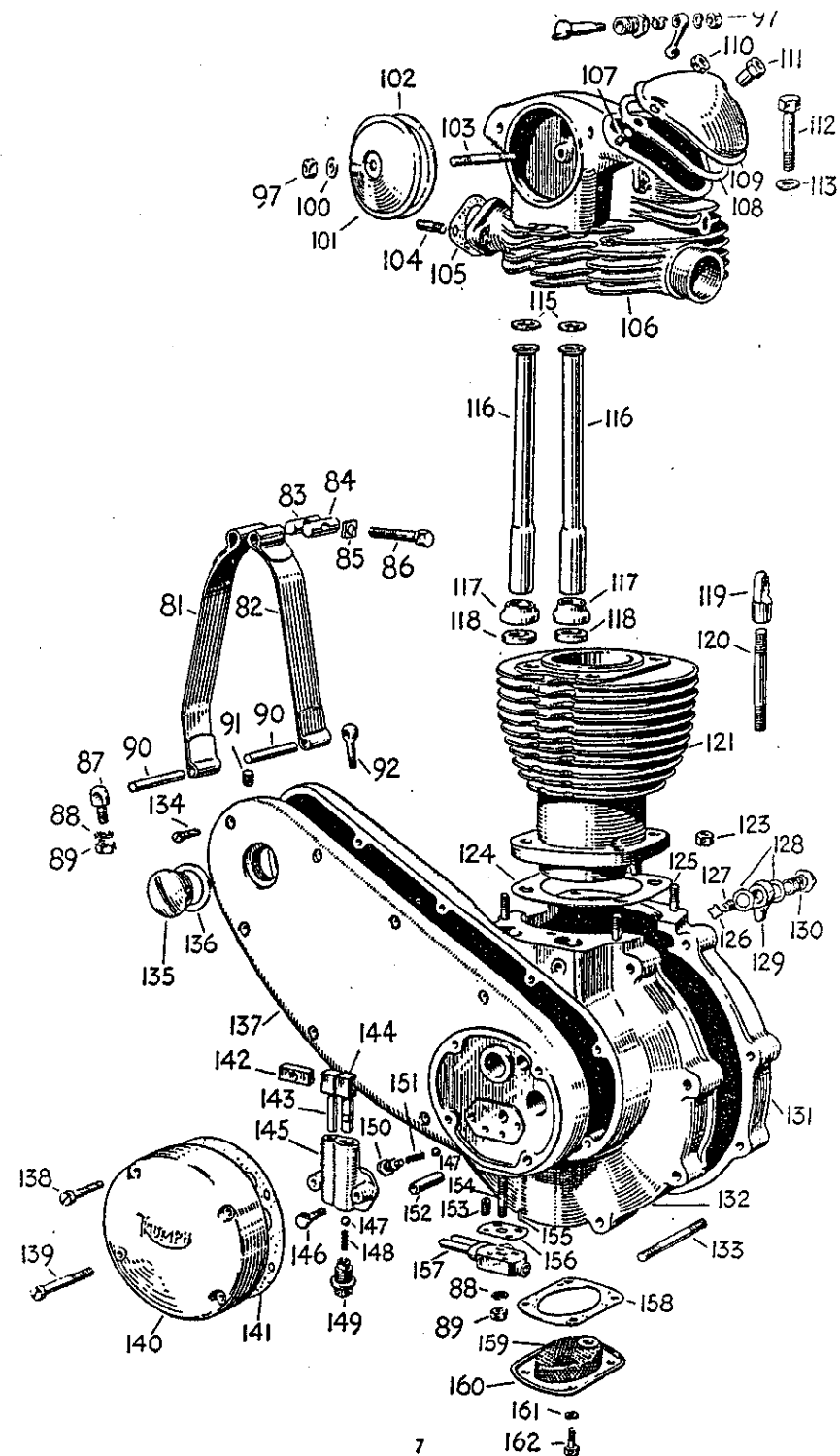
# REPLACEMENT PARTS

## FOR MODEL 3 HW

Part No.	Description.	Quan Used.	MT or Prop. No.
	Carrier, spring	1	MT8/LU/M2648/3
	Bush, insulating centre	1	MT8/LU/M2679/4
	Screw, hollow	1	MT8/LU/M2687/3
	Bush, insulating	1	MT8/LU/M2687/2
	Contact Set	1	MT8/LU/484098
	Nut, contact screw locking	1	MT8/LU/M580/3
	Spring, backing contact spring	1	MT8/LU/M2688/3
	Screw, contact spring fixing	1	MT8/LU/M2688/4
	Tappet, celleron	1	MT8/LU/M2687/1
	Screw, contact breaker fixing	1	MT8/LU/M1290/1
	Washer, locking	1	MT8/LU/M2689/1
	Strap Assy., dynamo fixing	1	MT8/LU/M3517/1
	Dynamo	1	MT8/LU/200285
	Coils, field	1	MT8/LU/200188
	Band Assy., cover	1	MT8/LU/200238
	Bracket Assy., drive end	1	MT8/LU/200353
	Nut, drive end bracket screw	1	MT8/LU/169010
	Plate, bearing	1	MT8/LU/200262
	Screw, drive end bearing plate fixing	2	MT8/LU/M940/2
	Nut, dynamo drive end shaft	1	MT8/LU/200224
	Armature	1	MT8/LU/200304
	Bracket Assy., commutator end	1	MT8/LU/200269
	Bush, commutator end bearing	1	MT8/LU/200231
	Washer, commutator end felt	1	MT8/LU/200273
	Screw, commutator end cover locating	1	MT8/LU/103513
	Cover Assy., commutator end	1	MT8/LU/200354
	Bushes, set of	1	MT8/LU/200290
	Springs, set of brush	1	MT8/LU/200079
	Terminal	2	MT8/LU/200229
	Plate, terminal clamp	1	MT8/LU/200212
	Screw, terminal clamp plate	1	MT8/LU/109667
	Bolt, through fixing	2	MT8/LU/200227
	Nut, through fixing bolt	2	MT8/LU/168768
	Screw, drive end bracket fixing	1	MT8/LU/123063
	Holder, brush, with insulating plate	1	MT8/LU/200253

Part No.	Description.	Quan Used.	MT or Prop. No.
<b>ENGINE GROUP</b>			
EN40HW3MC	Engine Assy., with nut on mainshaft, carburettor and magdyno	1	
<b>CYLINDER BARREL</b>			
E1133	Barrel, cylinder	1	
E1644	Liner, cylinder barrel	1	
E620	Washer, cylinder base joint	1	
<b>CYLINDER HEAD</b>			
E2100	Head, cylinder, with guides	1	
E2113	Bolt, cylinder head	4	
S26-1	Washer, spring, cylinder head bolt	4	MT5/49949
E1396	Stud, carburettor fixing	2	
S1-51	Nut, carburettor fixing stud	2	
S26-3	Washer, spring, carburettor fixing stud	2	MT5/49948
NA43	Washer, joint, carburettor flange	1	
F1033	Eye, engine steady stay stud	1	
E2124	Stud, cylinder head to engine steady stay	1	
S1-52	Nut, cylinder head torque stay stud	2	
S6-5	Locknut, cylinder eye	1	
F1798	Clip, engine steady stay to frame	1	
F1031	Bolt, engine steady stay to frame clip	1	
S1-51	Nut, engine steady stay to frame clip bolt	1	
SCX38	Spring Washer, engine steady stay clip bolt	1	
<b>VALVES</b>			
E2116	Valve, inlet	1	
E2115	Valve, exhaust	1	
E303A	Guide, inlet and exhaust valve	2	
E1290	Spring, valve, inner	2	
E1291	Spring, valve, outer	2	
E458	Collar, valve spring	2	
E1108	Cup, exhaust valve spring	1	
E455	Cotter, valve split	4	
E2102	Cover, inlet valve chamber	1	
E2103	Cover, exhaust valve chamber	1	
E2123	Washer, valve chamber cover joint	2	
T454	Stud, valve chamber cover	2	
W103	Nut, valve chamber cover stud—short	2	
E2131	Nut, valve chamber cover stud—long	2	
<b>PISTON</b>			
E1880	Piston Assy., with rings, pin & circlips	1	
E1880/20	Piston Assy., with rings, pin & circlips, .020in. O/S	1	

Part No.	Description.	Quan Used.	MT or Prop. No.
<b>SADDLE GROUP</b>			
—	Saddle, Universal	1	MT1/TE/S831
—	Cover, saddle	1	MT1/TE/S831/2
—	Springs, saddle main	2	MT1/TE/S831/4
*	Mattress Assy., saddle	1	MT1/TE/S831/16/ASS
‡	Elastic, saddle	2	MT1/LT/6/11 $\frac{1}{2}$ "
‡	Elastic, saddle....	2	MT1/LT/6/15 $\frac{1}{2}$ "
‡	Elastic, saddle....	2	MT1/LT/6/16 $\frac{1}{2}$ "
‡	Elastic, saddle....	1	MT1/LT/6/18 $\frac{1}{2}$ "
*For Terry Saddle.			
‡For Lycett Saddle.			
F2333	Stud, saddle spring to frame	2	
W76	Nut, saddle to seat stays bolt	4	
S25-3	Washer, saddle to seat stays bolt	4	
SI-51	Nut, saddle to seat stays bolt	4	
NA64J	Bolt and Nut, saddle nose to frame	1	
<b>PILLION SEAT GROUP</b>			
F2267	Seat, pillion	1	
DS57	Bolt, pillion seat	4	
F879	Nut, pillion seat bolt	4	
S25-1	Washer, pillion seat bolt	4	MT5/9727
<b>SUNDRIES GROUP</b>			
T376	Chain, primary—74 links	1	MT11/17163
—	Link, connecting	1	MT11/30486
—	Clip, connecting link	1	MT11/1375
—	Link, cranked	1	MT11/28644
D69	Chain, rear—90 links	1	MT11/28572
—	Link, connecting	1	MT11/46452
—	Clip, connecting link	1	MT11/46445
—	Link, cranked	1	MT11/46440
F1771	Clip, cable	1	MT4/24496



Part No.	Description.	Quan Used.	MT or Prop. No.
<b>AMAL CARBURETTOR GROUP</b>			
	Carburettor, complete	1	MT12/AM/276AD/1J
	Body, mixing chamber	1	MT12/AM/276/014RMC
	Top, mixing chamber	1	MT12/AM/6/032
	Cap, mixing chamber	1	MT12/AM/6/031
	Clip, spring cap	1	MT12/AM/4/235
	Screw, spring cap clip	1	MT12/AM/4/241
	Adjuster, cable	2	MT12/AM/4/035
	Valve, throttle	1	MT/12AM6/062/No. 4
	Spring, throttle valve	1	MT12/AM/4/263
	Cotter, throttle valve	1	MT12/AM/4/060
	Valve, air	1	MT12/AM/6/045
	Springs, air valve	1	MT12/AM/4/046
	Guide, air valve	1	MT12/AM/6/047
	Nipple, cable	1	MT12/AM/1482
	Screw, throttle adjusting	1	MT12/AM/4/063
	Locknut, throttle stop screw	1	MT5/15782
	Screw, air adjusting	1	MT12/AM/13/129
	Spring, air adjusting	1	MT12/AM/4/148
	Block, jet	1	MT12/AM/208/058R
	Washer, jet block	1	MT1/19142
	Jet, needle	1	MT12/AM/4/061
	Needle, for jet	1	MT12/AM/6/065
	Clip, needle jet	1	MT12/AM/4/230
	Jet, main	1	MT12/AM/4/042/150
	Nut, mixing chamber union	1	MT12/AM/6/062
	Bolt, holding	1	MT12/AM/4/043
	Washer, bolt holding	1	MT1/15342
	Tube, air intake	1	MT12/AM/6/038
	Chamber, float	1	MT12/AM/1J
	Body, float chamber	1	MT12/AM/64/186
	Cover, float chamber	1	MT12/AM/14/208
	Screw, float, cover lock	1	MT12/AM/14/021
	Float	1	MT12/AM/14/015
	Needle Valve	1	MT12/AM/14/024
	Tickler Assy.	1	MT12/AM/14/301
	Screw, platform plug	1	MT12/AM/13/153
	Washer, platform plug screw	1	MT12/AM/14/039
	Locknut, seating	1	MT12/AM/14/178
	Washer, seating locknut	1	MT1/16875
	Nut, petrol pipe	1	MT1/18851
	Nipple, petrol pipe	1	MT1/19110

Part No.	Description.	Quan Used.	MT or Prop. No.
E1880/40	Piston Assy., with rings, pin & circlips, .040in. O/S	1	
E1881	Ring, piston compression	2	
E1881/20	Ring, piston compression, .020in. O/S	2	
E1881/40	Ring, piston compression, .040in. O/S	2	
E387	Ring, piston scraper	1	
E387/20	Ring, piston scraper, .020in. O/S	1	
E387/40	Ring, piston scraper, .040in. O/S	1	
E344	Pin, gudgeon	1	
E361	Circlip, gudgeon pin retaining	2	
<b>FLYWHEELS</b>			
E1296	Flywheel, with shaft, drive side	1	
E1295	Flywheel, with shaft, timing side	1	
E600	Mainshaft, flywheel, N/S	1	
E601	Gearshaft, timing side	1	
KC20	Key, mainshaft or gearshaft flywheel	2	
E398	Nut, mainshaft or gearshaft flywheel	2	
E829	Screw, main shaft nut locking	2	
E1682	Tube, engine shaft oil feed (In Timing Cover)	1	
<b>CONNECTING ROD</b>			
E1401	Rod, connecting with 1 1/8" small end bush	1	
E1403	Bush, connecting rod, small end	1	
E595	Crankpin	1	
E398	Nut, crankpin	2	
E829	Screw, crankpin nut locking	2	
E392	Plug, crankpin	1	
S31-20	Snug, crankpin	1	
TE10	Roller, crankpin	30	MT7/6623
<b>CRANKCASE</b>			
E1349/50	Crankcase Assy.	1	
E1187	Dowel, crankcase to timing cover—hollow	1	Not Serviced
E492	Pipe, crankcase return	1	
E672	Stud, cylinder base	4	
E671	Nut, cylinder base stud	4	
E486	Cover, crankcase filter	1	
E487	Washer, crankcase filter cover joint	2	
MT63	Screw, crankcase filter cover	4	
E529	Filter, crankcase	1	
<b>CRANKCASE BEARINGS</b>			
S35-11	Bearing, crankcase drive side	1	MT7-6022
S35-14	Bearing, crankcase drive side	1	MT7-6019
S35-14	Bearing, crankcase, timing side	1	MT7-6019
E608	Ring, crankcase bearing retaining	1	
E2179	Seal Assy., engine mainshaft	1	
E2181	Sleeve, engine mainshaft	1	
E609	Bush, camshaft, short	3	
E500	Bush, camshaft, long	1	



Part No.	Description.	Quan Used.	MT or Prop. No.
DA16	Spanner, .820" x .712" open end	1	
NA66	Spanner, .600" x .448" closed	1	
PA57	Spanner, .919" x 1.011" closed	1	
NA65	Spanner	1	
PA60	Box Spanner, complete	1	
NA66	Spanner, ring, $\frac{7}{8}$ " x $\frac{7}{8}$ "	1	
DA157	Spanner, box, $\frac{3}{4}$ " x $\frac{1}{2}$ "	1 each	MT2/7649 & MT2/7651
D156	Spanner, dynamo nut	1	
M957/5	Spanner and Gauge, Lucas	1	Not Serviced
DA162	Spanner, adjustable, 6"	1	MT2/8188
DA163	Pliers, combination, 7"	1	MT2/12153
DA164	Tool Tyre Valve	1	MT2/19723
DA160	Outfit, tyre repair	1	MT6/16287
D49	Inflator	1	MT1/24565
DA158	Lever Tyre (spoon)	2	MT2/18571
DA159	Lever Tyre (cranked)	1	MT2/351
167	Extractor Chain Rivet, "Universal"	1	MT2/2217
110,059	Spare Chain Links in box	1	MT11/23266
110,049	Spare Chain Links in box	1	MT11/23267
DA161	Can, oil, "Wesco" No. 200	1	MT1/19627
WA58A	Tool Roll	1	MT2/6704
D169	Pressure Gauge, tyre	1	

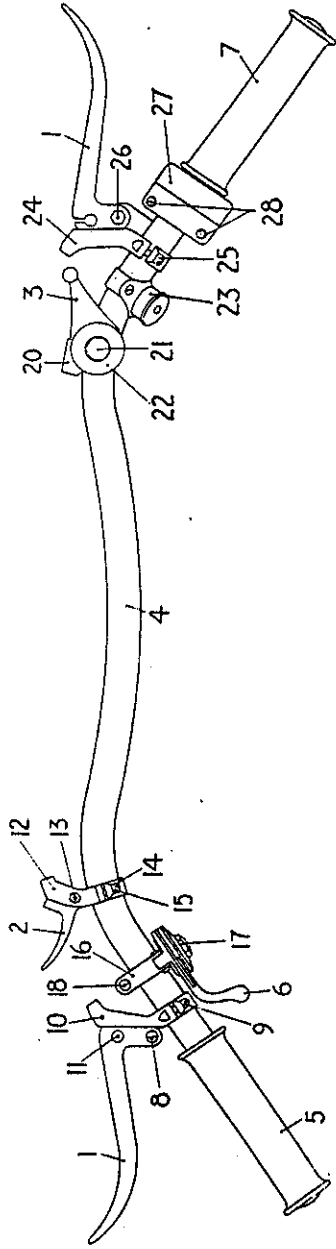
### KEY TO ILLUSTRATION

1. PA57	23. 110,049
2. DA16	24. 110,059
3. NA55	25. DA158
4. NA66	26. DA159
5. KA50	27. DA164
6. DA5	28. DA160
7. WA58A	29. 167
8. DA72	30. NA12
9. PA60	31. DA161
10. DA87	32. NA65
12. DA21	33. D169
13. PA55	34. DA157
16. PA60	35. M957/5
18. DA163	36. D156
20. DA162	

Part No.	Description.	Quan Used.	MT or Prop. No.
E506	Key, camshaft gear	2	
E498	Pinion, timing	1	
S66-10	Key, timing pinion	1	
E526	Nut, timing pinion	1	
E604	Wheel, intermediate timing	1	
E400	Bush, intermediate timing wheel	1	
E375	Spindle, intermediate timing wheel	1	
E718	Gear Assy., magdyno driving	1	
NE337	Plate, magdyno gear extractor	1	
NE338	Nut, magdyno gear extractor	1	
NE489	Rivet, magdyno gear extractor	3	MT5/49433
NE339	Retainer, magdyno gear oil (cork)	1	
<b>TAPPETS</b>			
E2104	Tappet	2	
E2105	Guide, tappet	2	
E1413	Screw, inlet tappet guide locking	1	
T401A	Screw, exhaust tappet guide locking	1	
E1612	Washer, tappet guide locking (shakeproof)	2	MT5/24861
<b>PUSH RODS</b>			
E2119	Rod, valve push	2	
<b>PUSH ROD COVER TUBE</b>			
E2137	Tube, push rod cover	2	
E2111	Washer, push rod cover seal—upper	2	
E2114	Washer, push rod cover seal—lower	2	
<b>OVERHEAD ROCKERS</b>			
E2117	Rocker, inlet	1	
E2118	Rocker, exhaust	1	
E2136	Bush, rocker	4	
E949	Ball Pin, rocker	2	
E1513	Pin, rocker adjusting	2	
E470	Nut, rocker adjusting pin	2	
E2109	Spindle, rocker	2	
E1435	Nut, rocker spindle	2	
E2110	Spring Washer, rocker spindle	2	
E2112	Washer, rocker spindle thrust	6	
E2101	Cap, push rod inspection	1	
E2121	Washer, push rod inspection cap joint	1	
E2122	Stud, push rod inspection cap	1	
F879	Nut, push rod inspection cap stud	1	
E2125	Washer, push rod inspection cap stud, fibre	1	
E2128	Pipe Assy., rocker oil	1	
E1335	Washer, banjo joint—copper	4	
E1947	Connection, rocker oil pipe to oil tank "T"	1	
XA69	Clip, oil pipe connection	2	

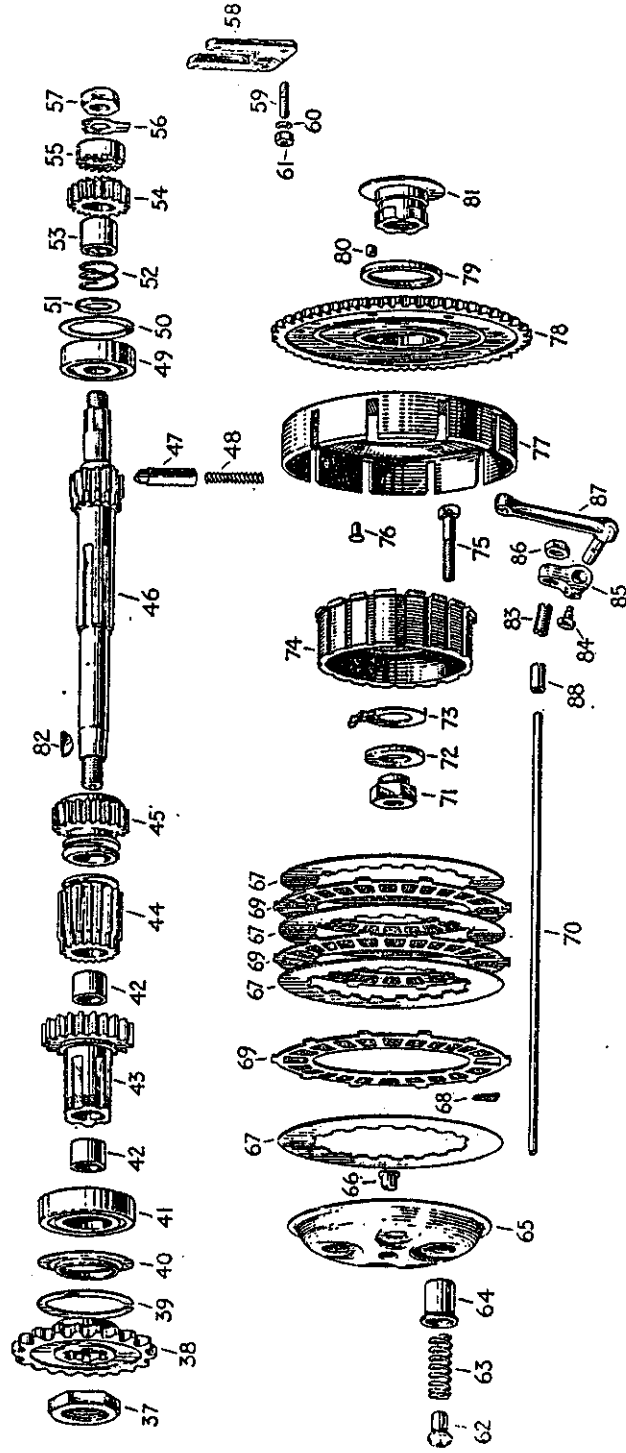
Part No.	Description.	Quan Used.	MT or Prop. No.
11/013	Screw, twistgrip body	2	
16/001-3	Rotor and Sleeve, twistgrip	1	Not Serviced
16/008	Spring, twistgrip friction	1	
16/009	Screw, twistgrip friction spring	1	
16/010	Locknut, twistgrip friction spring screw	1	MT5/15782
<b>CONTROL CABLE GROUP</b>			
<b>CLUTCH CABLE</b>			
D74	Cable Assy., clutch	1	
D74W	Wire only, clutch	1	
D74C	Casing, clutch wire	54½"	MT1/13465
MS103	Thimble, clutch casing	2	MT1/21503
DS73	Nipple, clutch wire—gearbox end	1	
169/007	Nipple, clutch wire—handlebar end	1	
DS74	Adjuster, clutch cable	1	
W76	Locknut, clutch cable adjuster	1	
<b>EXHAUST LIFTER CABLE</b>			
D97A	Cable Assy., exhaust lifter	1	
D97AW	Wire, exhaust lifter	1	
D97-AC	Casing, exhaust lifter wire	27½"	MT1/13465
D102	Thimble, exhaust lifter wire casing	2	MT1/PN/BN/991/1
QS250	Nipple, exhaust lifter wire—engine end	1	
40/058	Nipple, exhaust lifter cable—handlebar end	1	
S77-1	Adjuster, exhaust lifter wire	1	
S1-39	Locknut, exhaust lifter wire adjuster	1	
S60-31	Spring, exhaust lifter return	1	
<b>FRONT BRAKE CABLE</b>			
D76A	Cable Assy., front brake	1	
D76AW	Wire, front brake	1	
D76C	Casing, front brake wire	16"	MT1/13465
D103	Thimble, front brake wire casing	2	MT1/21503
W335	Nipple, front brake wire—brake end	1	
169/007	Nipple, front brake wire—handlebar end	1	
W328	Adjuster, front brake cable	1	
W329	Nut, front brake cable adjuster	1	
W341	Eye Bolt, brake cable stop	1	
S1-7	Nut, brake cable stop eye bolt	1	
W532	Rod, front brake	1	
W334	Fork End, front brake rod	1	
W356	Nut, front brake rod fork end locking	1	
WF32	Pin, front brake rod to fork end	1	
	Split Pin, front brake rod to fork end pin	1	MT1/5649
W331	Spring, front brake rod	1	
W330	Box, front brake rod spring	1	
W332	Plunger, front brake rod spring	1	

Part No.	Description.	Quan Used.	MT or Prop. No.
<b>CRANKCASE SHIELD GROUP</b>			
F1752	Shield, crankcase (Secured by Engine Plate Stud Nuts)	1	
<b>GEARBOX GROUP</b>			
GB405W	Gearbox Assy., with clutch	1	
<b>GEARBOX SHELL</b>			
T264A	Shell with Bushes, gearbox	1	
E698	Stud, gearbox shell to outer cover	2	
S1-51	Nut, casing to outer cover stud	2	MT5/9728
S25-3	Washer, casing to outer cover stud	2	
T411	Cover with Bushes, gearbox outer	1	
E573	Screw, outer cover to casing	1	
T452	Screw, outer cover to casing	1	
E427	Screw, outer cover to inner cover	3	
T410	Cover with Bushes, gearbox inner	1	
T323A	Stud, gearbox inner cover to outer cover	1	
S1-51	Nut, inner cover to outer cover stud	1	MT5/9728
S25-3	Washer, inner cover to outer cover stud	1	
E329	Screw, gearbox inner cover to shell	1	
E427	Screw, inner cover to casing	2	
T400	Cap, gearbox filler	1	
NT376	Washer, gearbox filler cap	1	
S46-15	Plug, gearbox drain	1	
PT104B	Washer, gearbox drain plug	1	
<b>GEARBOX FITTINGS</b>			
T278A	Plate, gearbox mounting clamp	2	
T456	Bolt, gearbox mounting clamp plate	2	
S1-51	Nut, gearbox mounting clamp plate bolt	3	
T461	Nut, gearbox mounting clamp plate bolt	1	
F1681	Bolt, gearbox clamping	1	
S4-13	Nut, gearbox clamping bolt	1	
S25-8	Washer, gearbox clamping bolt	1	
GT21	Pin, gearbox fulcrum	1	
F1126	Nut, gearbox fulcrum pin	1	MT5/49949
S21-6	Washer, gearbox fulcrum pin	1	
T275	Adjuster Assy., primary chain	1	
<b>SHAFTS &amp; GEARS</b>			
T441	Mainshaft, gearbox	1	
S66-1	Key, clutch centre to mainshaft	1	
T421	Nut, clutch centre to mainshaft	1	
T420	Washer, clutch centre to mainshaft	1	
T433	Layshaft, gearbox	1	
T432	Tube, layshaft distance	1	



### HANDLEBAR ASSEMBLY

- |            |            |            |               |
|------------|------------|------------|---------------|
| 1. 18/130  | 8. 18/087  | 15. 12/044 | 23. MT4/13917 |
| 2. 18/059  | 9. 18/300  | 16. 12/018 | 24. 18/247    |
| 3. 12/016  | 10. 18/174 | 17. 12/029 | 25. 18/300    |
| 4. 98/046  | 11. 18/088 | 18. 12/022 | 26. 18/087    |
| 5. 16/039C | 12. 18/221 | 20. 12/003 | 27. 16/006    |
| 6. 12/017  | 13. 11/014 | 21. 12/029 | 28. 11/013    |
| 7. 16/023C | 14. 18/300 | 22. 12/031 |               |



See also illustration on pages 24 and 25.

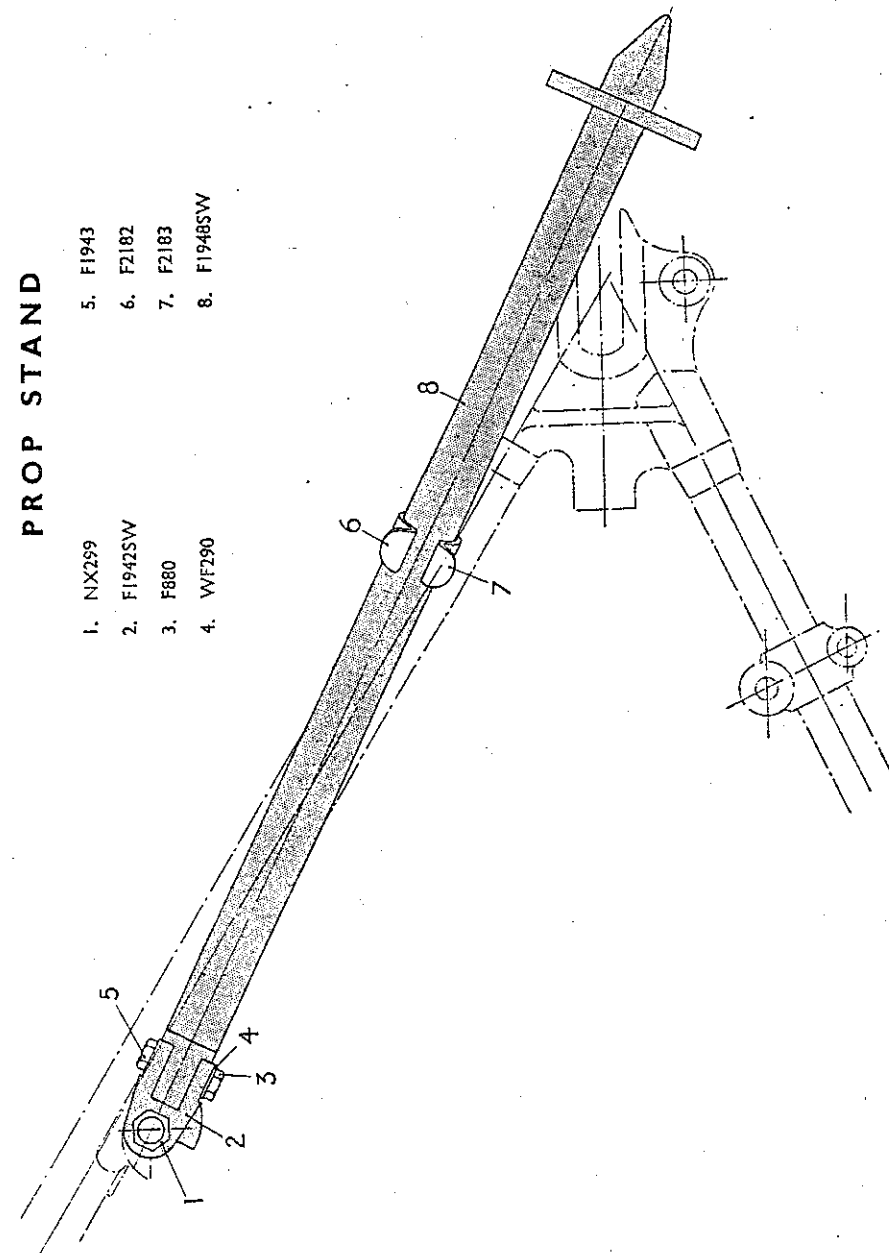
Part No.	Description.	Quan Used.	MT or Prop. No.
F2327	Tube, distance, footrest rod	1	
F1092	Rod, footrest	1	
DS48	Nut, footrest rod	2	
SCZ-45	Spring Washer, footrest rod	2	MT5/49951
S25-8	Plain Washer, footrest rod	2	
<b>PILLION FOOTRESTS</b>			
F2312	Footrest Assy., pillion	1 Pr.	
F1694	Footrest, pillion	2	
F2271	Bolt, pillion footrest pivot	2	
S1-51	Nut, pillion footrest pivot bolt	2	
F2277	Spring Washer, pillion footrest pivot bolt	2	
F2268	Hanger, pillion footrest	2	
F1696	Stud, pillion footrest hanger	2	
P0172A	Nut, pillion footrest hanger stud	2	
S26-1	Spring Washer, pillion footrest hanger stud	2	MT5/49949
<b>CHAINCASE GROUP</b>			
T639	Chaincase, outer section	1	
NT367	Plug, chaincase oil filler	1	
NT376	Washer, chaincase filler plug	1	
PCE102F	Plug, chaincase drain	1	
WE170	Washer, chaincase drain plug	1	
NT316	Dowel, chaincase (footrest)	2	
T638	Chaincase, inner section	1	
T484	Plate, chaincase oil retainer	1	
T91	Spring Plate, chaincase oil retainer	1	
T177	Rivet, chaincase oil retainer spring plate	1	
T652	Adjuster, rear chain oiler	1	
T497	Spring, rear chain oiler	1	
T654	Washer (joint), primary chain cover	1	
F2328	Distance Piece, chain cover	1	
T656	Screw, chain cover	17	
PCE102F	Screw, chain cover (front attachment)	3	
<b>CHAINGUARD GROUP</b>			
T148A	Chain Guard, rear—upper	1	
DSS7	Bolt, chain guard fixing—rear—upper	1	
S26-2	Spring Washer, chainguard bolt	1	MT5/49947
S23-37	Bolt, chainguard fixing—front—upper	1	
S26-2	Washer, spring, chainguard bolt	1	
F1730	Chain Guard, rear—lower	1	
F1760	Bolt, chainguard fixing—rear—lower	1	
S1-51	Nut, chainguard bolt	1	
F1369	Bolt, chainguard fixing, front—lower	1	
F879	Nut, chainguard bolt	1	
S25-1	Washer, chainguard bolt	1	MT5/9727

Part No.	Description.	Quan Used.	MT or Prop. No.
T406	Plunger, gear quadrant	2	
T405	Spring, gear quadrant plunger	2	
T398	Pedal, footchange	1	
T450	Screw, footchange pedal	1	
T404	Spring, footchange pedal return	2	
T395	Finger, gear indicator	1	
T224	Nut, gear indicator finger	1	
S25-3	Washer, gear indicator finger	1	MT5/9728
T396	Quadrant, gear indicator	1	
T493	Pin, gear indicator quadrant fixing	2	
<b>KICKSTARTER</b>			
T451	Crank, kickstarter	1	
S52-1	Cotter, kickstarter crank	1	
S1-40	Nut, kickstarter crank cotter	1	
S25-43	Washer, kickstarter crank cotter	1	
T31	Spring, kickstarter return	1	
T47	Peg, kickstarter return spring anchoring	1	
T25A	Quadrant, kickstarter	1	
T24A	Shaft, kickstarter axle	1	
T45A	Stop, kickstarter quadrant	1	
T27	Ratchet, kickstarter	1	
T488/28	Spring and Sleeve, kickstarter pinion	1	
T505	Washer, kickstarter sleeve	1	
NT297	Nut, kickstarter ratchet	1	
T26	Pinion, kickstarter	1	
<b>GEARBOX SPROCKET</b>			
T471	Sprocket, gearbox, 18T	1	
T440	Nut, gearbox sprocket locking	1	
<b>GEARBOX CLUTCH</b>			
T416ACLT	Clutch Assy.	1	
T416A	Housing with Sprocket, clutch	1	
T394	Roller, clutch sprocket	20	MT7/6809
T417A	Centre, clutch	1	
T418	Hub, clutch	1	
T414	Plate, clutch driving (corked)	3	
NT288	Insert, clutch—cork	72	
T415	Plate, clutch driven	4	
T429	Spring, clutch	4	
T424	Pin, clutch spring	4	
T427	Nut, clutch spring pin	4	
T425	Cup, clutch spring	4	
T419	Plate Assy., clutch pressure	1	
T422	Button, clutch pressure plate	1	

Part No.	Description.	Quan Used.	MT or Prop. No.
<b>REAR WHEEL BRAKE</b>			
W93	Shoe Assy., rear, with lining	2	
NW243	Lining, rear brake shoe	2	
W129	Rivet, brake shoe lining	16	
W135	Spring, brake shoe return	2	
W101	Plate, rear brake anchor	1	
W5	Locknut, rear brake anchor plate	2	
NW234	Cam Assy., rear brake, outer	1	
NW236	Washer, brake cam	2	Not Serviced
W74A	Lever, rear brake cam	1	
S1-52	Nut, outer cam to lever	1	
W123	Spring, rear brake cam lever return	1	
<b>MUDGUARD GROUP</b>			
<b>FRONT MUDGUARD</b>			
H332SW	Mudguard, front	1	
H221	Clip, front mudguard to fork	2	
F1369	Bolt, front mudguard clip	2	
F879	Nut, front mudguard clip bolt	2	
DS54A	Stay, front mudguard	1	
F929	Bolt, front mudguard stay	2	
<b>REAR MUDGUARD</b>			
F2236	Mudguard Assy., rear	1	
F2236C	Tailguard, rear mudguard	1	
DS-57	Bolt, tailguard fixing	2	
F879	Nut, tailguard fixing bolt	2	
S26-2	Spring Washer, tailguard fixing bolt	2	MT5/49947
PF204	Clip, rear mudguard fixing	2	
F444	Plate, rear mudguard fixing clip	2	
S23-42	Screw, rear mudguard fixing clip plate	4	
S25-1	Washer, rear mudguard fixing clip plate screw	4	MT5/9727
F2254	Stay, rear mudguard to pannier frame	1	
DS-57	Bolt, rear mudguard stay	2	
F879	Nut, rear mudguard stay bolt	2	
S26-2	Washer, rear mudguard stay bolt	2	MT5/49947
DS57	Bolt, rear mudguard stay to tailguard	2	
F879	Nut, rear mudguard stay to tailguard bolt	2	
S26-2	Spring Washer, rear mudguard stay to tailguard bolt	2	MT5/49947
<b>CARRIER GROUP</b>			
<b>REAR CARRIER</b>			
F2235	Carrier Assy., rear pannier	1	
F1213	Bolt, rear carrier to mudguard bridge	2	

Part No.	Description.	Quan Used.	MT or Prop. No.
S26-3	Washer, front engine plate to crankcase stud	6	MT5/49948
F1684	Shield, engine plate front	1	Not Serviced
F1119	Plate, engine rear, O/S	1	
F1119A	Plate Assy., engine rear N/S	1	
E654	Stud, rear engine plate to frame & c/case	5	
S1-51	Nut, rear engine plate to frame & c/case	10	
S26-3	Washer, rear engine plate to frame & c/case	10	MT5/49948
F1117	Dowel, rear engine plate footrest	4	
<b>BATTERY CARRIER GROUP</b>			
F1670	Carrier Assy., battery	1	
F1665/6	Base and Back Assy., battery carrier	1	
E534	Swivel, battery carrier strap—plain hole	1	
E535	Swivel, battery carrier strap—tapped hole	1	
E536	Bolt, battery carrier strap swivel	1	
F1667	Strap, battery carrier—top	1	
F1668	Strap, battery carrier—front	1	
F1727	Pin, battery carrier strap hinge	2	
F1682	Stud, battery carrier to seat tube boss	1	
S1-51	Nut, battery carrier to seat tube boss stud	1	
F1715	Bolt, carrier to primary cover	2	
<b>STAND GROUP</b>			
<b>FRONT STAND</b>			
NS356SW	Stand, front	1	
DS55	Bolt, front stand to guard	1	
S1-51	Nut, front stand to guard bolt inner	1	
NS362	Nut, front stand to guard bolt—outer	1	
DS61	Screw, front stand pivot	2	
S1-51	Nut, front stand pivot screw	2	
S26-23	Washer, front stand pivot screw	2	MT5/49950
<b>REAR STAND</b>			
F1834	Stand, rear	1	
F975	Spring, rear stand	1	
F977	Bolt, rear stand pivot	2	
S1-52	Nut, rear stand pivot bolt	2	
F976	Washer, rear stand pivot bolt spring	2	
S25-71	Plain Washer, rear stand pivot bolt	2	
<b>PROP STAND</b>			
F1995SW	Prop Stand Assy.	1	Not Serviced
F1948SW	Leg, prop stand	1	
F1943	Bolt, prop stand pivot	1	

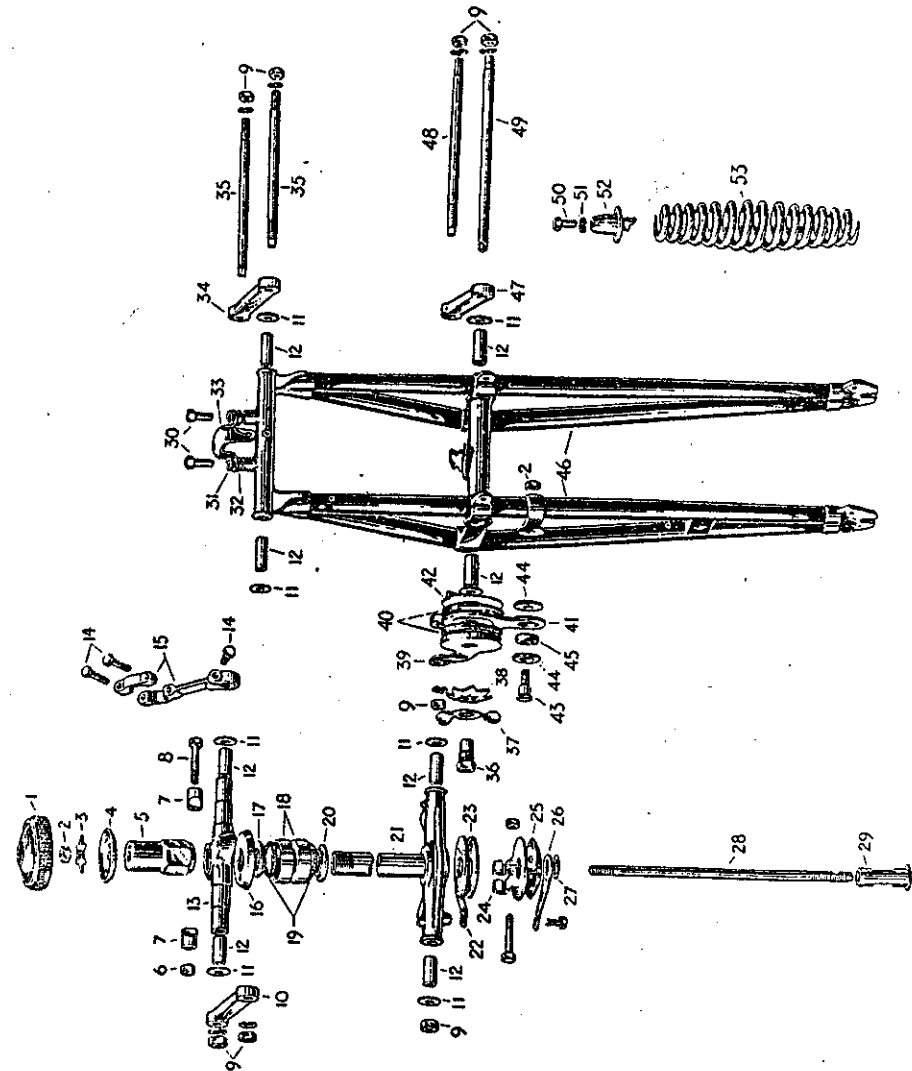
Part No.	Description.	Quan Used.	MT or Prop. No.
<b>SPEEDOMETER GROUP</b>			
D114SW	Head, speedometer	1	MT1/SM/S433B/EX
	Nut, speedometer fixing	2	MT5/15915
	Washer, speedometer fixing	2	MT5/49947
DS40	Bracket, speedometer head	1	
DS57	Bolt, speedometer bracket	2	
F774E	Washer, speedometer bracket screw	2	
S25-1	Washer, speedometer bracket	2	MT5/9727
X65SW	Cable, speedometer, complete	1	MT1/SM/52149/25
	Cable, speedometer, inner	1	MT1/SM/53385/25
	Cable, speedometer, outer	1	Not Serviced
WX207SW	Gearbox, speedometer drive	1	MT1/SM/25224
	Nut, speedometer drive, gearbox locking	1	MT1/SM/P25200
	Spring Washer, speedometer drive gearbox locking nut	1	MT1/SM/W7259
WX211A	Pinion, speedometer gearbox (18T)	1	
W347	Gear Wheel, speedometer gearbox (58T)	1	
<b>REAR WHEEL GROUP</b>			
W79E	Wheel, rear, complete, less internal brake parts	1	
W79A	Rim, rear wheel	1	
D106	Bolt, tyre security	1	MT14/26273
NW125	Spoke, rear wheel, 8 $\frac{3}{4}$ " $\times$ 9G $\times$ 76 $^{\circ}$	10	
NW125X	Spoke, rear wheel, 8 $\frac{3}{4}$ " $\times$ 9G $\times$ 100 $^{\circ}$	10	
W106	Spoke, rear wheel, 9" $\times$ 9G $\times$ 76 $^{\circ}$	10	
W106X	Spoke, rear wheel, 9" $\times$ 9G $\times$ 100 $^{\circ}$	10	
TW5	Nipple, rear wheel spoke	40	
W98A	Hub Assy., rear, less internal parts	1	
W4	Nut, rear wheel bearing adjusting	2	
W12	Cap, rear wheel bearing dust	2	
W7A	Bearing, rear wheel roller	2	MT7/TN/1163X/1120N1
NW225	Ring, rear wheel bearing backing	2	
KW194	Lubricator	1	MT1/TT/8655
W6	Collar, taking thrust to chain adjuster	2	
W61	Spindle, rear wheel	1	
TS42	Nut, rear wheel spindle	2	
W56	Sprocket, rear chain	1	
W64	Bolt, rear chain sprocket	8	
E1613	Washer, rear chain sprocket bolt	8	MT5/9688
W311	Drum, rear brake	1	
W62	Bolt, rear hub to drum	8	
S1-52	Nut, hub to drum bolt	8	
W63	Lockplate, hub to drum bolt	8	



Part No.	Description.	Quan Used.	MT or Prop. No.
<b>HEADLAMP BRACKETS</b>			
H201	Bracket, headlamp, short, upper	2	
H212	Bracket, headlamp, long, lower	2	
S23-34	Bolt, headlamp bracket to fork	4	
S4-9	Nut, headlamp bracket to fork bolt	4	
<b>FRONT WHEEL GROUP</b>			
W351E	Wheel, front, complete, less internal brake parts	1	
W351	Rim, front wheel	1	
W353	Spoke, front wheel, 7 1/2" x 10G x 78° O/S	10	
W353X	Spoke, front wheel, 7 1/2" x 10G x 99° O/S	10	
WX23	Spoke, front wheel, 8 7/8" x 10G x 78° N/S	10	
WX23X	Spoke, front wheel, 8 7/8" x 10G x 78° N/S	10	
S79-2	Nipple, front wheel spoke	40	
W349	Hub Assy., front, with brake drum	1	
W192	Nut, front wheel bearing adjusting, N/S	2	
W193	Nut, front wheel bearing locking, O/S	1	
W202	Cap, front wheel bearing dust	2	
WW11	Bearing, front wheel roller	2	MT7/00068X/00152X
W190	Ring, front wheel bearing backing	2	
KW194	Lubricator	1	MTI/TT/8655
W323	Axle, front wheel	1	
W175	Nut, front wheel axle	2	
<b>FRONT WHEEL BRAKE</b>			
W393	Shoe Assy., front, with linings	2	
W344	Lining, front brake shoe	2	
W129	Rivet, brake lining	16	
W135	Spring, brake shoe return	2	
W327	Plate, front brake anchor	1	
W346	Nut, front brake anchor plate locking	1	
W386A	Cam Assy., front brake	1	
W313A	Lever, front brake cam	1	
SI-52	Nut, brake cam lever	1	
S25-6	Washer, brake cam lever	1	
W325	Pin, front brake shoe fulcrum	1	
SI-52	Nut, front brake fulcrum pin & torque link	1	
W345	Link, front brake torque	1	
FI031	Bolt, torque link (fork end)	1	
SI-52	Nut, torque link bolt	1	

**FRONT FORK ASSEMBLY**

1	TE4440
2	TE4444
3	TE4438
4	TE4439
5	TE4716
6	TE4607
7	TE4650
8	TE4606
9	TE709
10	TE4360JS
11	TE1903/E
12	TE2419
13	TE4712
14	DS120
15	DS5
16	TE4714
17	XS9
18	XS10
19	S70-4
20	XS8
21	TE4634/4711
22	TE4591
23	TE4141
24	TE4636
25	TE4952
26	TE4593
27	TESD/J3
28	TESD/I2
29	TE2692
30	DS57
31	F774E
32	S25-1
33	DS405VV
34	TE4360/P
35	TE1520
36	TE4383/J2
37	TE4102
38	TE1002
39	TE4180
40	TE1001
41	TE4277
42	TE4178
43	TE4281
44	TE4374G & C
45	TE671MM
46	TE4371
47	TE4026
48	TE4183
49	TE4182
50	TE1253S
51	S26-3
52	TE519
53	TE4234



Part No.	Description.	Quan Used.	MT or Prop. No.
<b>WIRING GROUP</b>			
	Cable, lighting and charging ....	20ft.	MT4/19167
	Cable, high tension ....	18"	MT4/7930
<b>HORN GROUP</b>			
	Horn, Electric ....	1	MT3/4562
	Push, Horn ....	1	MT4/13917
<b>CUTOUT &amp; REGULATOR UNIT GROUP</b>			
	Box, regulator ....	1	MT4/LU/33019
	Plate Assy., terminal clamping ....	1	MT4/LU/390723
	Screw, terminal clamping plate fixing ....	2	MT4/LU/100713
	Sleeve, terminal ....	4	MT3/LU/188818
	Cover, cutout ....	1	MT4/LU/390460
	Clip, cutout cover spring ....	1	MT4/LU/390461
<b>BATTERY GROUP</b>			
	Battery ....	1	MT4/80230
	Plug, vent ....	3	MT4/LU/S2254/1
	Cover, moulded ....	1	MT4/LU/S2171/1B
	Connector, positive cable ....	1	MT3/LU/SA147
	" U " Bolt, battery carrier ....	1	MT4/LU/SW784/P
	Nut, " U " bolt ....	2	MT4/LU/B918
<b>SPARKING PLUG GROUP</b>			
	Plug, sparking ....	1	MT4/29946
	Immobilizer ....	1	MT4/18869
	Suppressor ....	1	MT4/21387